

Metering Tip Selection:

The final concentration of the dispensed solution is related to both the size of the metering tip opening and the viscosity of the liquid being siphoned. For water-thin products, the chart at right can be used as a guideline. If product is noticeably thicker than water, consult the Measurement of Concentration Procedure below to achieve your desired water-to-product ratio. Because dilution can vary with water temperature and pressure, actual dilution achieved can only be ascertained by using the Measurement of Concentration Procedure. The clear, undrilled tip is provided to permit drilling to size not listed should you need a dilution ratio that falls between standard tip sizes.

NOTE: Refer to parts diagram if unfamiliar with names of system components.

Measurement of Concentration:

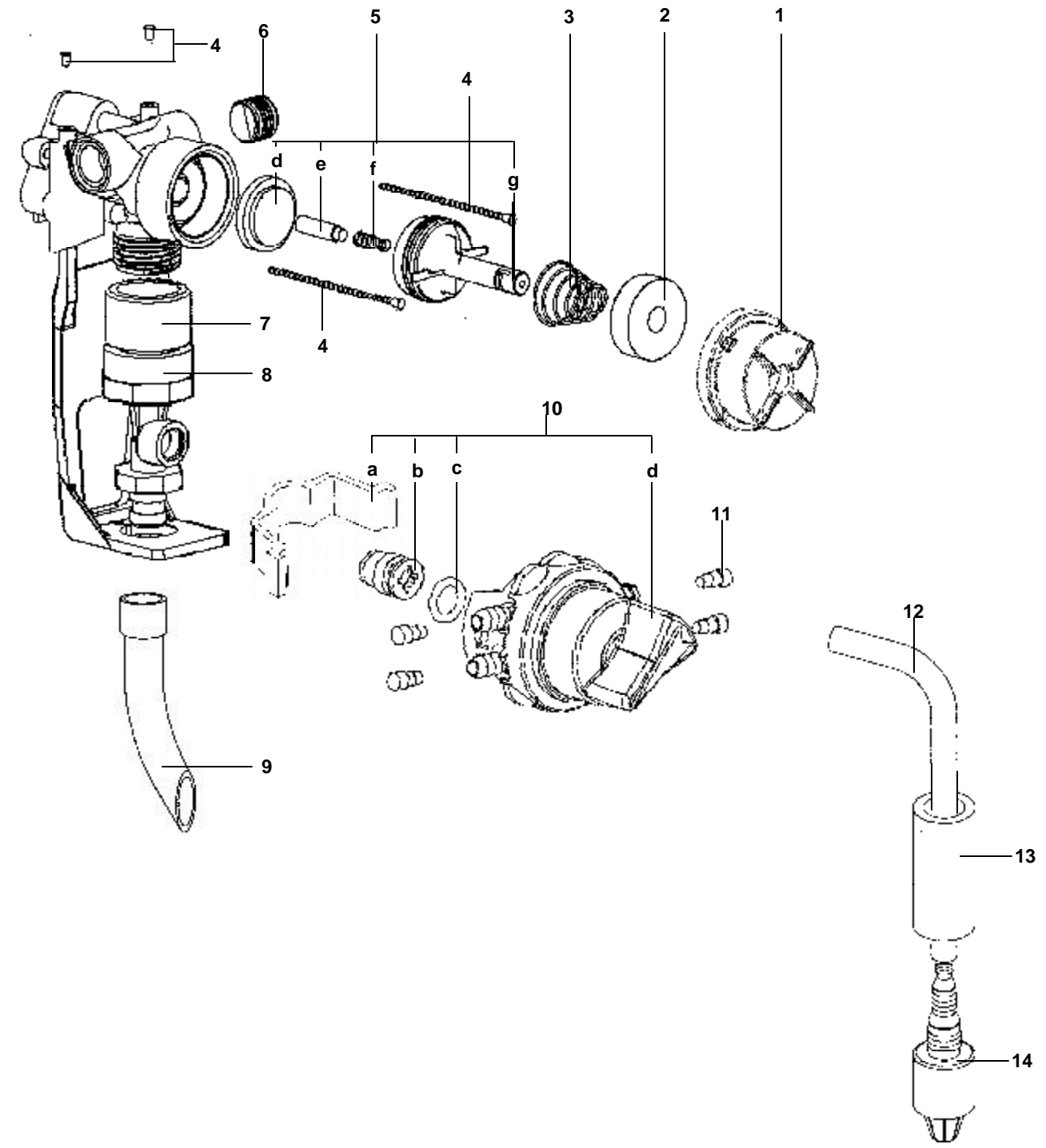
You can determine the dispensed water-to-product ratio for any metering tip size and product viscosity. All that is required is to operate the primed dispenser for a minute or so and note two things: the amount of dispensed solution, and the amount of concentrate used in preparation of the solution dispensed. The water-to-product ratio is then calculated as follows:

$$\text{Dilution Ratio (X:1) where X} = \frac{\text{Amount of Mixed Solution} - \text{Amount of Concentrate Drawn}}{\text{Amount of Concentrate Drawn}}$$

Dilution Ratio, then, equals X parts water to one part concentrate (X:1). If the test does not yield the desired ratio, choose a different tip and repeat the test. Alternative methods to this test are 1) pH (using litmus paper), and 2) titration. Contact your concentrate supplier for further information on these alternative methods and the materials required to perform them.

| APPROXIMATE DILUTIONS AT 40 PSI FOR WATER-THIN PRODUCTS (1.0 CP) | | | | |
|---|--------------|-------------------|--------------------------|-------|
| Tip Color | Orifice Size | Std. Drill Number | Ratio (per Eductor Flow) | |
| | | | 1 GPM | 4 GPM |
| No Tip | .187 | (3/16) | 2:1 | 3:1 |
| Grey | .128 | (30) | 2:1 | 3:1 |
| Black | .098 | (40) | 2:1 | 4:1 |
| Beige | .070 | (50) | 3:1 | 8:1 |
| Red | .052 | (55) | 4:1 | 14:1 |
| White | .043 | (57) | 5:1 | 20:1 |
| Blue | .040 | (60) | 6:1 | 24:1 |
| Tan | .035 | (65) | 8:1 | 30:1 |
| Green | .028 | (70) | 12:1 | 45:1 |
| Orange | .025 | (72) | 16:1 | 56:1 |
| Brown | .023 | (74) | 18:1 | 64:1 |
| Yellow | .020 | (76) | 24:1 | 90:1 |
| Aqua | .018 | (77) | 32:1 | 128:1 |
| Purple | .014 | (79) | 45:1 | 180:1 |
| Pink | .010 | (87) | 128:1 | 350:1 |

TaskMizer Parts Diagram Cont.



TaskMizer Parts Diagram List:

| Key | Part No. | Description |
|-----|----------|---|
| 1 | 10079003 | Magnet Cover w/ chain slot |
| 2 | 10079000 | Magnet |
| 3 | 10079010 | Spring, Magnet return |
| 4 | 90074612 | Ball chain w/ sleeves |
| 5 | 10075980 | Valve parts kit d. diaphragm e. armature f. spring g. valve bonnet |
| 6 | 10075925 | Pipe plug, 3/8 npt x 2.54 |
| 7 | 10035310 | Vacuum breaker |
| 8 | 440205 | Eductor, 1 GPM |
| 9 | 10088852 | Discharge tube assm. |
| 10 | 10080957 | Selector Valve Kit (short) a. support clip b. suction stub c. o-ring d. select valve assembly |
| 11 | 690014 | Metering tip kit |
| 12 | 500821 | Tubing, 1/4" x 21' |
| | 500814 | Tubing, 1/4" x 14' |
| 13 | 509900 | Weight |
| 14 | 10076301 | Foot valve -- Viton (EPDM also available order 10076302) |

ITEMS NOT SHOWN:

| | |
|----------|-------------------------------------|
| | Cabinet front |
| | Cabinet back |
| 270702 | Washer, 3/16" |
| 10088609 | Mounting bracket |
| 10088608 | Drip tray |
| 641751 | Security screws (for cabinet sides) |