

Green.Tek Advantage 30 Quick Start Guide

0.2 – 30 gpm 5 – 100 psi

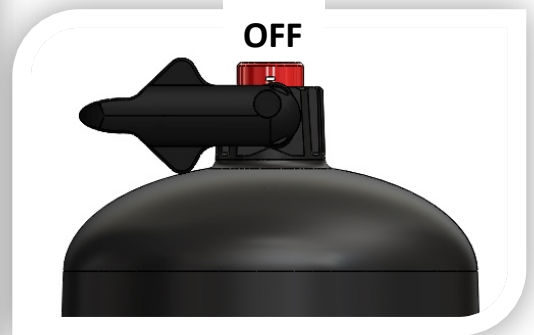
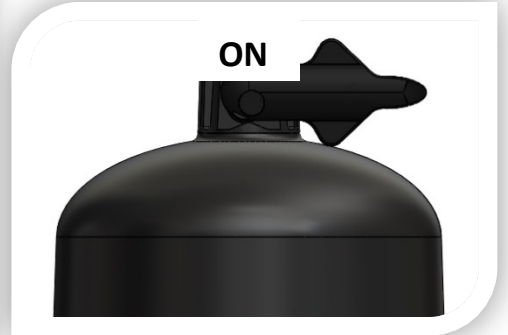
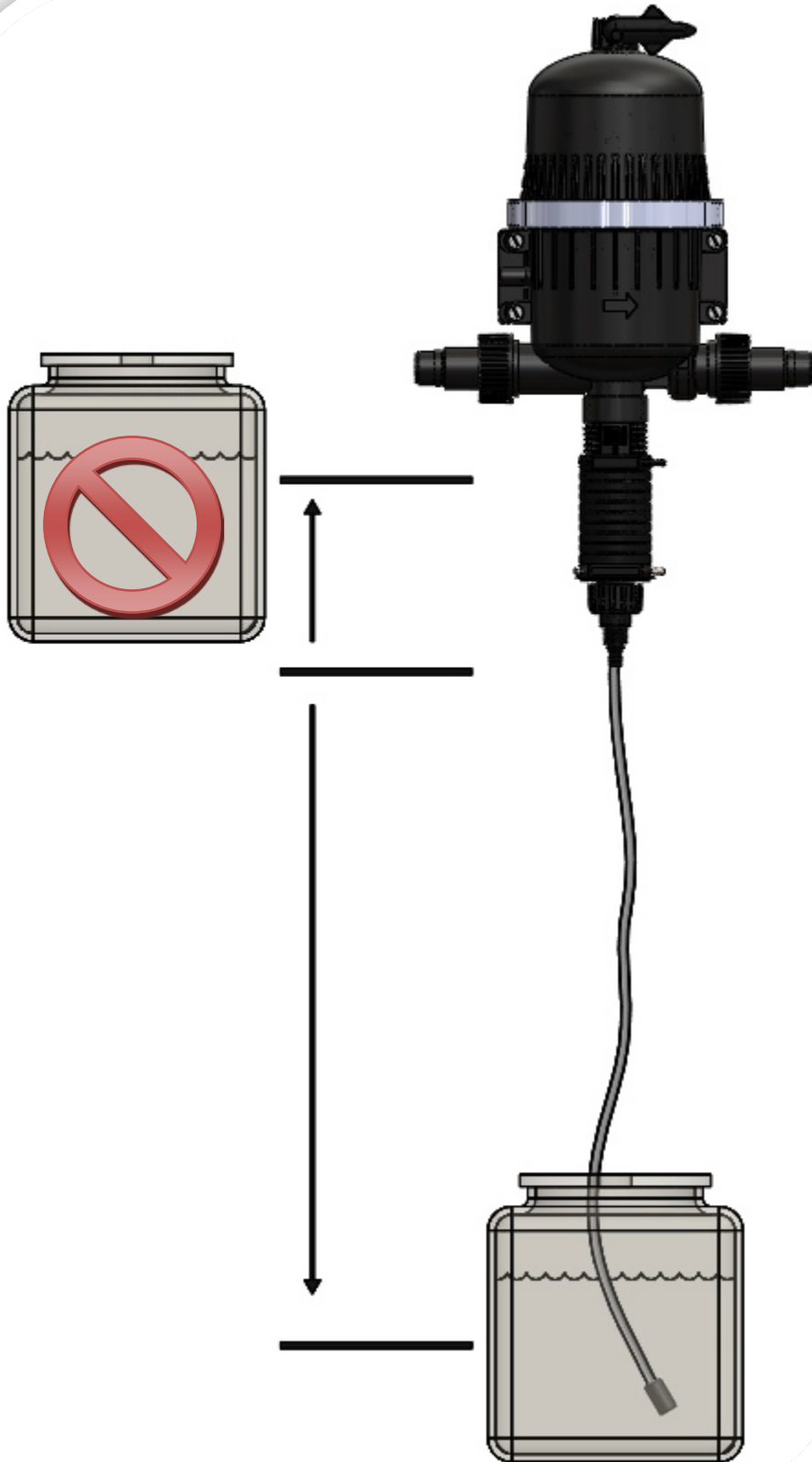
45 – 6800 l/h 0,4 – 6.9 bar



Green.Tek Advantage 30 Quick Start Guide

0.2 – 30 gpm 5 – 100 psi

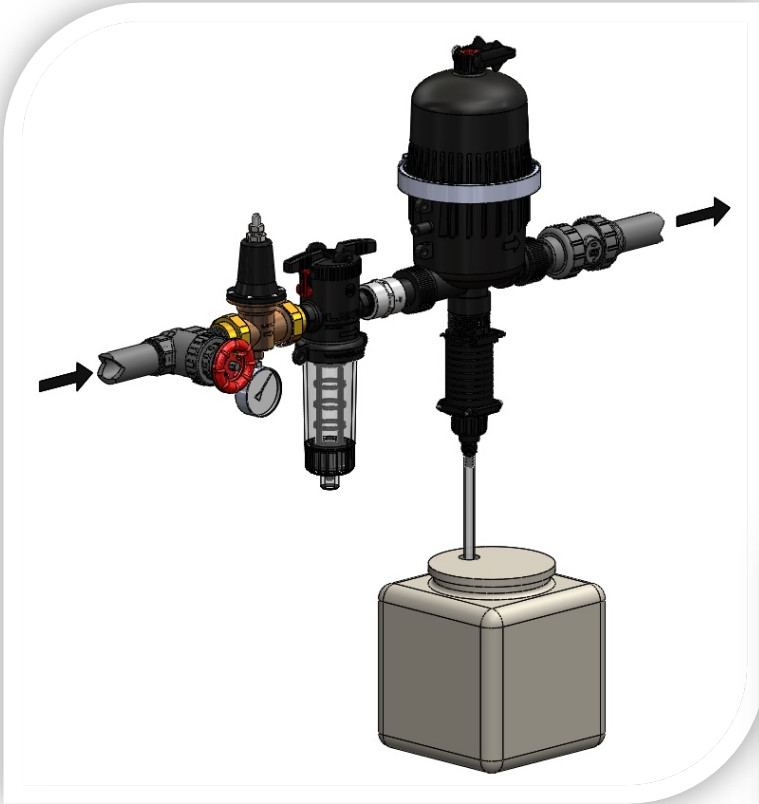
45 – 6800 l/h 0,4 – 6.9 bar



Green.Tek Advantage 30 Quick Start Guide

0.2 – 30 gpm 5 – 100 psi

45 – 6800 l/h 0,4 – 6.9 bar



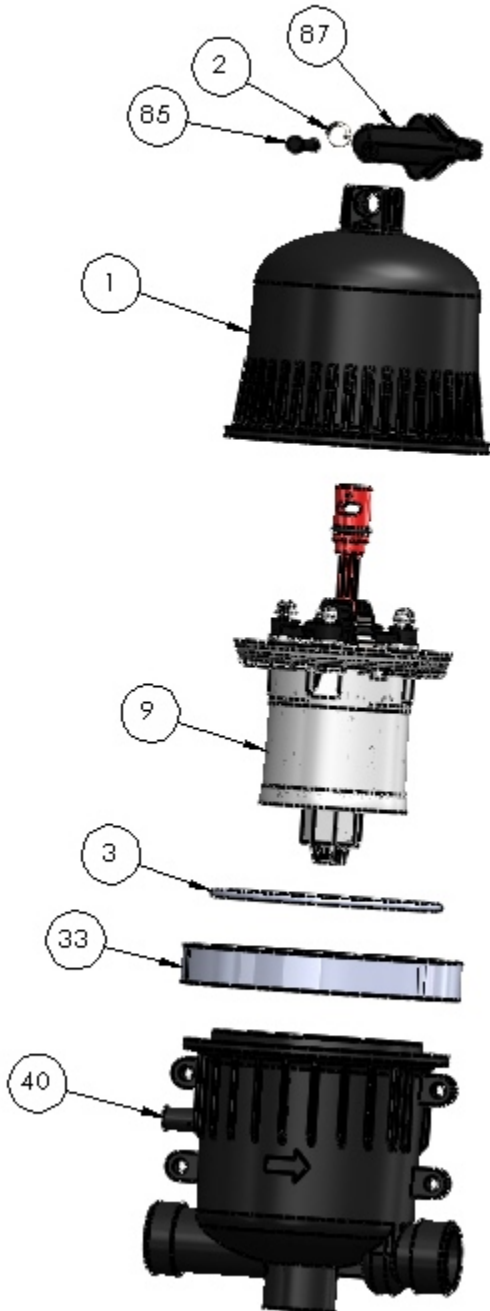
World Headquarters
Hydro Systems Company
3798 Round Bottom Road
Cincinnati
OH 45244
U.S.A.
T 513-271-8800
F 513-271-0160
www.hydrosystemsco.com

Green.Tek Advantage 30 Quick Start Guide

0.2 – 30 gpm 5 – 100 psi

45 – 6800 l/h 0,4 – 6.9 bar

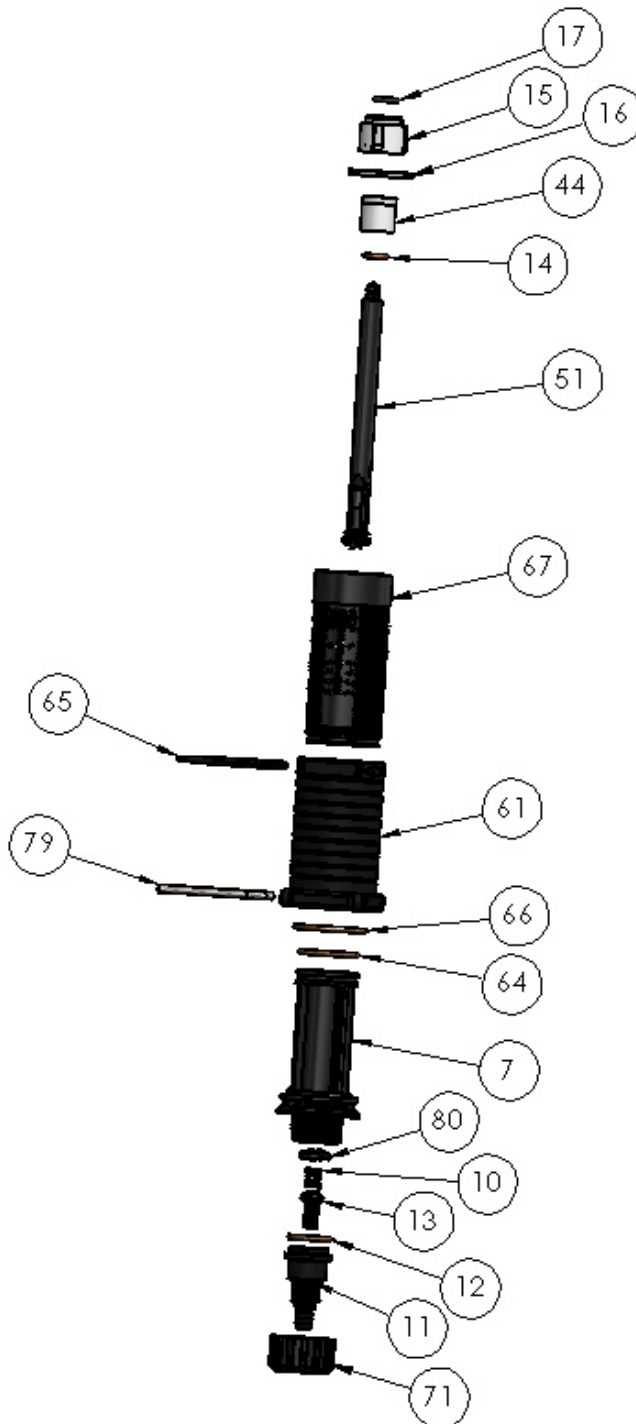
ITEM NO.	DESCRIPTION
1	Upper Housing
2	Cotter Ring
3	O-Ring
9	Piston Assy
33	Vee Clamp
40	Lower Housing
85	Shaft Pin
87	Handle



Green.Tek Advantage 30 Quick Start Guide

0.2 – 30 gpm 5 – 100 psi

45 – 6800 l/h 0,4 – 6.9 bar



ITEM NO.	DESCRIPTION
7	Cylinder, Inner 2.5%
10	Spring, Check Poppet
11	Fitting, Suction Tube 3/8"
12	O-Ring
13	Assy, Check Poppet
14	O-Ring
15	Retainer, Quad Ring
16	Gasket
17	O-Ring
44	Dosage Piston
51	Shaft
61	Ratio Adjuster
64	O-Ring
65	Pin, Interlock
66	O-Ring
67	Cylinder, Printed 2.5%
71	Nut, Suction Tube Fitting
79	Clip, Retainer
80	Twistlock