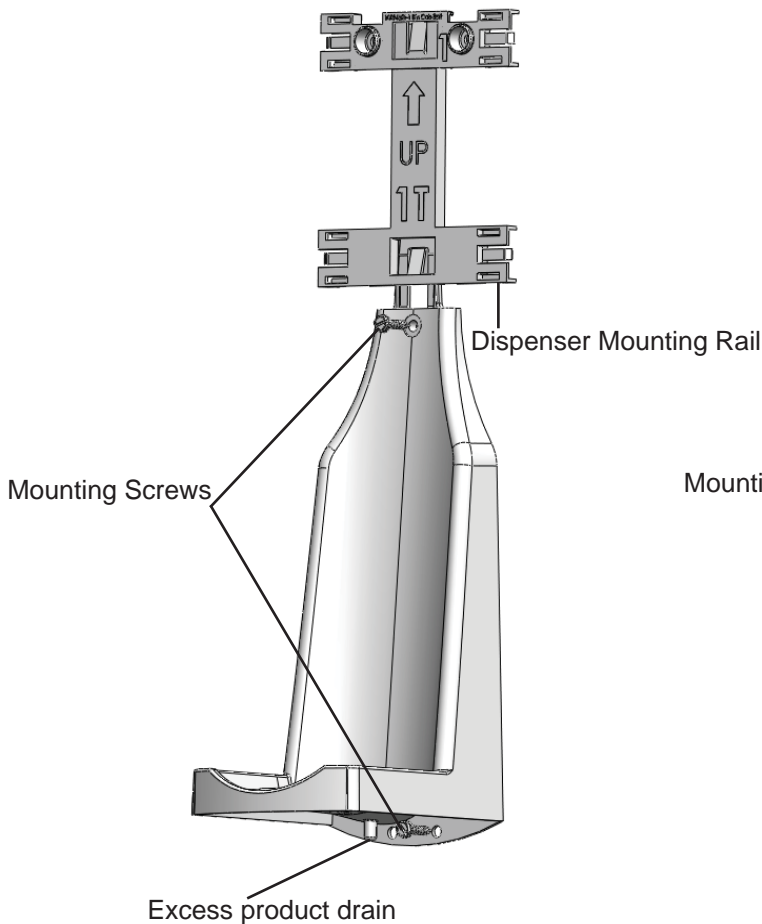


Drip Tray Mounting

Mounting Instructions:

1. Diagrams below show a typical installation. Insert Drip tray into dispenser mounting rail. Level drip tray, and mark mounting holes. Remove drip tray and drill 9/32" (7.14mm) holes in wall and install mounting anchors. Re-insert drip tray into dispenser mounting rail and secure with screws provided.
2. An optional drain can is provided on the bottom of the drip tray. Push through plastic to open hole for excess product to drain. Install 1/4" flexible tubing to drain excess product where desired.

Drip tray and 1 button dispenser



Drip tray and 2 button dispenser

