

**Troubleshooting Chart:**

Problem	Cause	Solution
1. System does not operate	a. No water b. Clogged water inlet strainer c. Water valve failure	a. Open water supply b. Disconnect inlet water line and clean strainer c. Clean or replace with valve parts kit*
2. Discharge from siphon breaker	a. Failed siphon breaker	a. Repair or replace siphon breaker
3. Float is not turning water flow On/Off	a. Unit not level b. Float movement obstructed	a. Make sure unit is level - float hangs level b. Make sure float movement is not obstructed
4. Solution strength too low	a. Low inlet pressure  b. Inlet tubing kinked	a. Adjust inlet pressure higher using regulator 30-40psi is recommended (Turn pressure adjustment screw clockwise to increase pressure) Make sure tubing is not kinked b. Adjust tubing to prevent kinking

Note: Colder water temperatures result in a decrease in the chemical dissolve rate.

\* Hard water may cause build-up of mineral deposits in water valve. Remove deposits by soaking the valve parts in a deliming solution.



# 595

## Single Solid Dissolver

**Package Should Contain:**

1. Dissolution Board
2. Float
3. S-hook
4. Siphon Breaker
5. Outlet Ball Valve
6. Mounting Kit
7. Instruction Manual

**THANK YOU FOR YOUR INTEREST IN OUR PRODUCTS**

Please use this equipment carefully and observe all warnings and cautions.

\*\*\*\*\*NOTE\*\*\*\*\*

- |               |   |
|---------------|---|
| <b>WEAR</b>   | protective clothing and eyewear when dispensing chemicals or other materials or when working in the vicinity of all chemicals, filling or emptying equipment, or changing metering tips.  |
| <b>ALWAYS</b> | observe safety and handling instructions of the chemical manufacturer.<br>direct discharge away from you or other persons or into approved containers.<br>dispense cleaners and chemicals in accordance with manufacturer's instructions. Exercise <b>CAUTION</b> when maintaining your equipment.<br>reassemble equipment according to instruction procedures. Be sure all components are firmly screwed or latched into position. |
| <b>KEEP</b>   | equipment clean to maintain proper operation.   |

**UNIT SPECIFICATIONS:**

Weight: -- 15lb. Dry  
-- 35lb. With full chemical bottle and full solution reservoir  
Dimensions: -- 14" W X 24" H X 10" D



1. Drill holes for the four wall anchors with a (9/32") drill, using the mounting board as a template. Make sure the board is level.



2. Install the siphon breaker by pushing the 1/4" fitting on the metal tube and the 3/8" fitting on the flexible black tube.



3. Remove top screw from black access panel to install float.



4. Install the float on the S-hook inside the board. Verify float operation is not obstructed.



5. Connect water supply line to the inlet ball valve push-in fitting.



6. Install the outlet ball valve using thread sealant.





7. Connect the outlet supply line to the outlet ball valve.

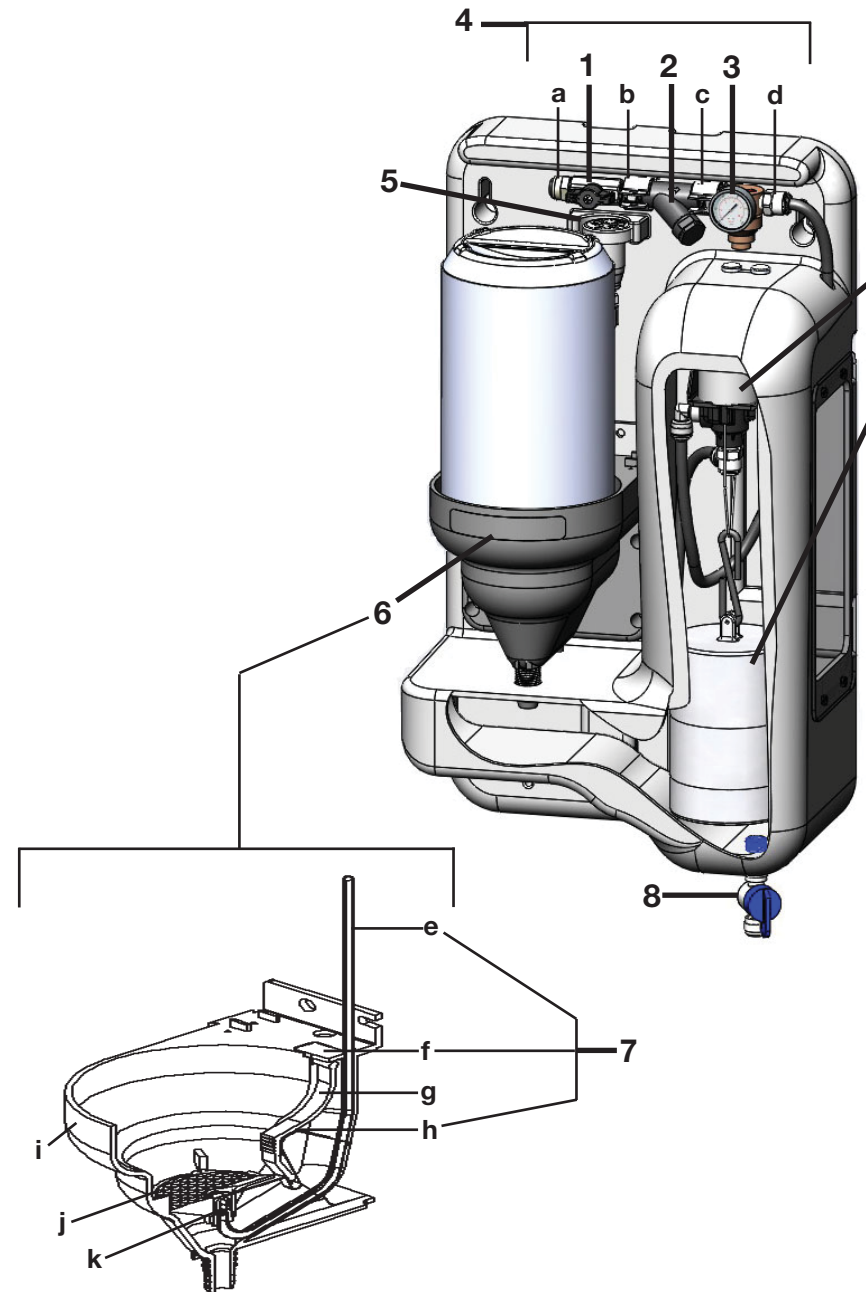


8. Place chemical bottle securely in solid bowl assembly.



9. Turn on water supply valve. Adjust pressure regulator. 30-40psi is recommended.

**595 SOLID DISSOLVER Parts Diagram and List:**



**Water valve Assembly  
(see diagram and parts list next page)**

Key	Part No.	Description
1	10080320	Inlet Ball valve
2	90087019	Y-Strainer, Plastic
3	90085155	Pressure regulator/gauge
4	10097418	Water Inlet Assembly a Inlet fitting 3/8" Guest 1 Inlet Ball Valve b Hex Nipple, 3/8" MPT 2 Y-Strainer, 3/8" FPT c Reducer Nipple 3 Pressure Reg./Gauge d Adaptor 1/4MPTx3/8Gst
5	10092535	Siphon Breaker Kit Siphon Breaker Assembly Elbow, 1/4MPTx1/4Guest Adaptor, 1/4MPTx3/8Guest <small>Not Shown on Picture:</small>
6	10092579	Solid bowl assembly e Spray J-Tube f Retainer Arm g Diverter Arm h Spring Diverter i Solid Bowl j Screen k Spray Nozzle
7	10091677S	J-Tube Replacement Kit e Spray J-Tube f Retainer Arm h Spring Diverter
8	10097089	Ball valve, solution outlet

**595 SOLID DISSOLVER Water Valve Parts Diagram and List:**

Key	Part No.	Description
1	10091931	Water Valve Replacement Assembly a Cap, Hinged, #6-#10 PP Black (4) b Screw, Self-tapping, Stainless Steel c Valve / Magnet Cover d Magnet Cover w/Yoke Holes e Ring Magnet, Small f Spring, Magnet Return, Hastelloy g Screw, Plastifast w/Dorritech8 (3) h Valve Bonnet, Plastic, White i Armature Spring j Armature, Round #W7301R k Diaphragm, EPDM-1 l Valve Body, Molded Black m Elbow, 3/8"Tube x 3/8"NPT, Pkr n Elbow, 3/8"Tube x 1/4"NPT, Pkr o Cap, Snap Cap, 1/4 IN, Black (2) p Screw, 1/4-20 x 3/4, Nylon MCO (2) q Cup, Snap Cap, 1/4 IN, White (2) r Nut, 1/4-20 Nylon (2) s Valve, Bracket, Molded t Yoke, Control Valve, Hastelloy u Float S-Hook, 2.65LG, Plastic
2	665520	Water Valve Rebuild Kit b Screw, Self-tapping, Stainless Steel h Valve Bonnet, Plastic, White i Armature Spring j Armature, Round #W7301R k Diaphragm, EPDM-1
3	520000	Water Valve Body (no fittings)
4	10092551	Float S-Hook, 2.65LG, Plastic
5	5043-A	Sand-Weighted Float

