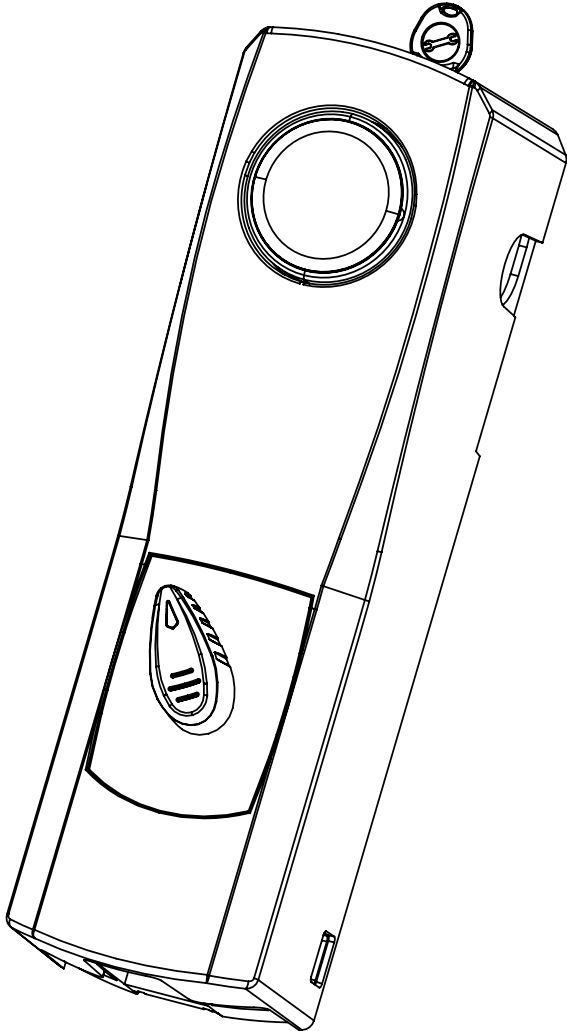
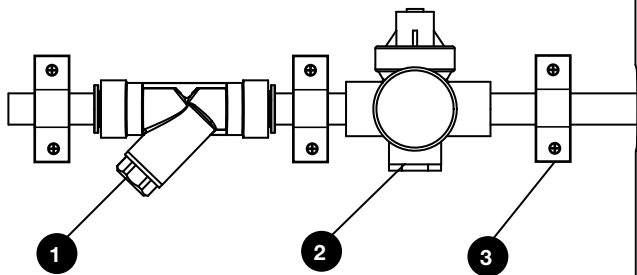


EvoDose NXT


Instruction Manual

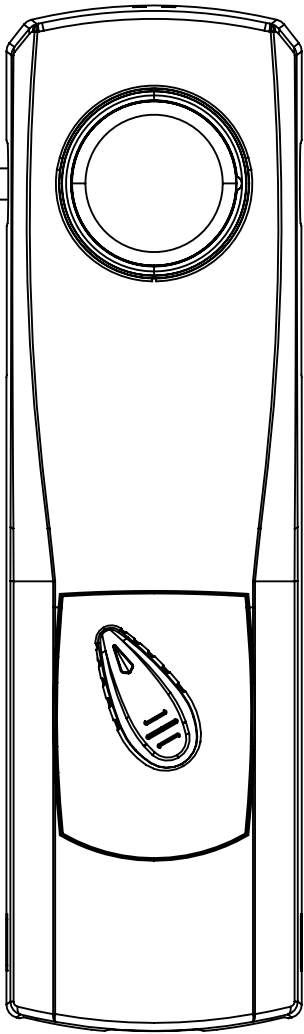




- 1** Filter - 100 Mesh / 105 Micron (Optional)
- 2** Pressure regulator (Optional)
- 3** Pipe clamp for Tube length >0.5m

 min 1°C
max 23°C

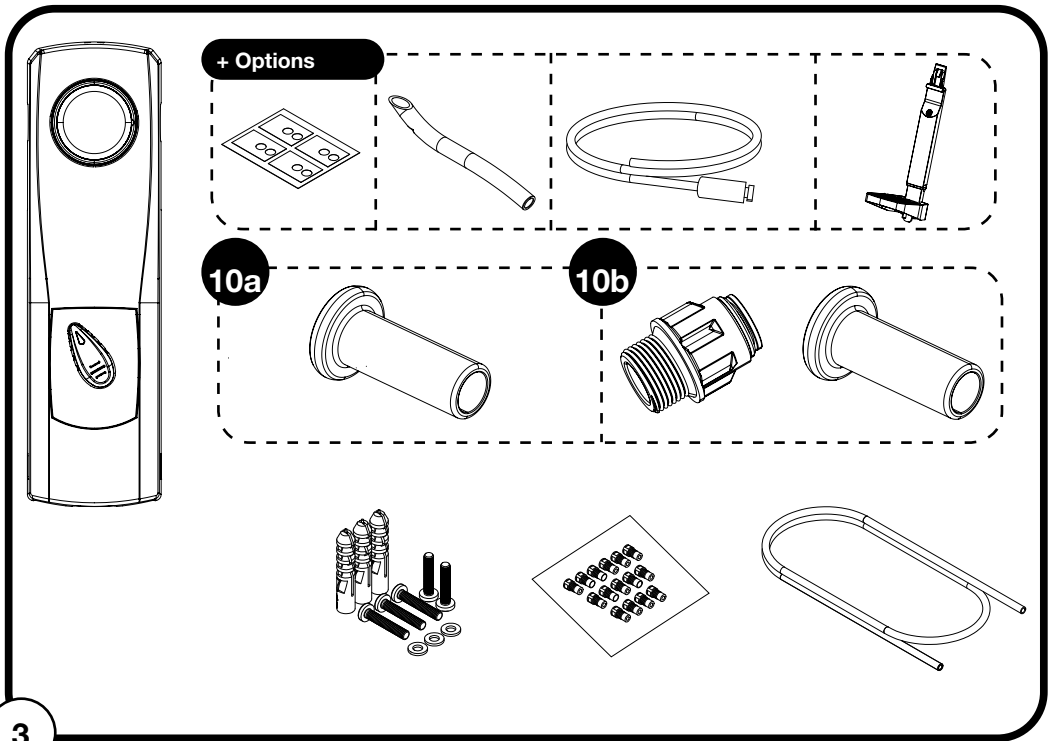
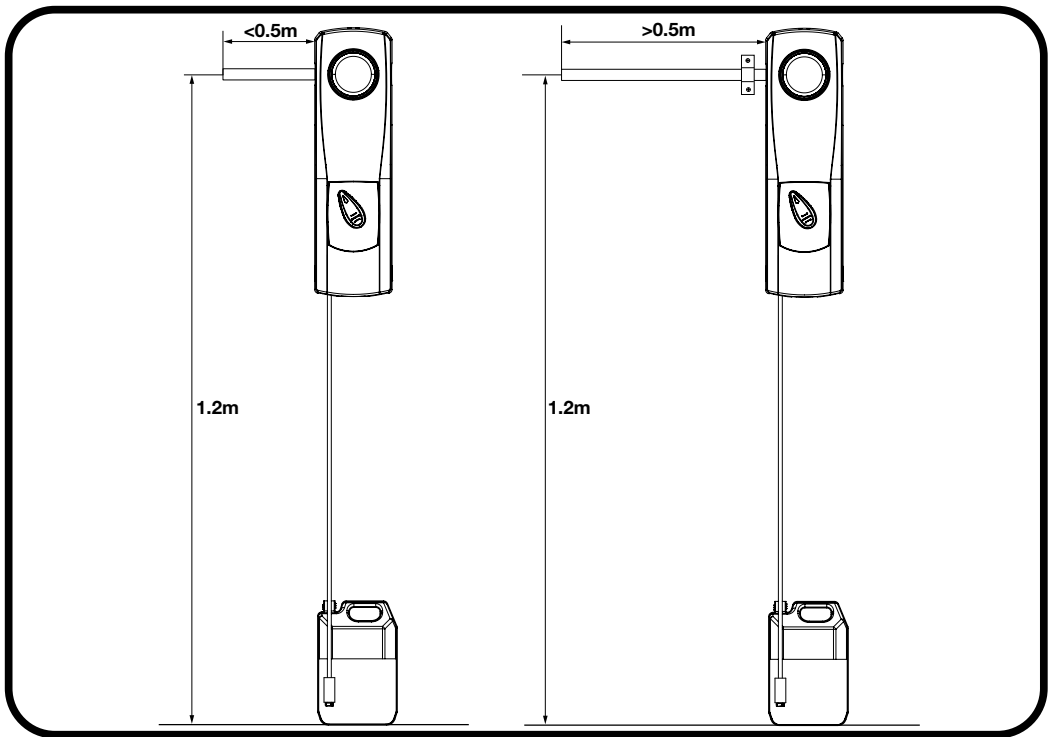
 min 1.75 bar Dynamic
max 6 bar Static



Installation	-	4
Operation	-	17
Maintenance	-	19

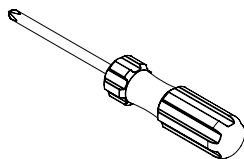
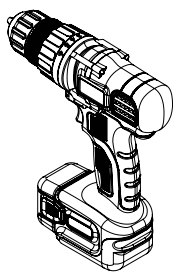
Dilution tip chart

Colour	Bucket Fill				Bottle Fill			
	Ratio X:1		%		Ratio X:1		%	
	Single	QDV	Single	QDV	Single	QDV	Single	QDV
Grey	5	18	16.7	5.3	3	6	25	14.3
Black	5	18	16.7	5.3	3	7	25	12.5
Beige	8	20	11.1	4.8	3	7	25	12.5
Red	15	24	6.3	4	5	9	16.7	10
White	21	29	4.5	3.3	7	10	12.5	9.1
Blue	23	30	4.2	3.2	8	11	11.1	8.3
Medium Brown (tan)	32	76	3	1.3	10	13	9.1	7.1
Green tip	58	76	1.7	1.3	17	21	5.6	4.5
Orange	61	80	1.6	1.2	19	22	5	4.3
Dark Brown	80	94	1.2	1.1	23	28	4.2	3.4
Yellow	109	132	0.9	0.8	28	39	3.4	2.5
Aqua	118	152	0.8	0.7	36	45	2.7	2.2
Purple	203	249	0.5	0.4	59	63	1.7	1.6
Pink tip	389	722	0.3	0.1	119	144	0.8	0.7
Clear	-	-	-	-	-	-	-	-
Without tip	4	4	20	20	3	5	25	16.7

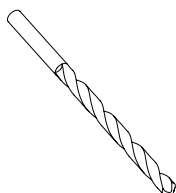


Installation

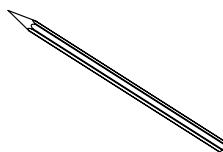
Tools



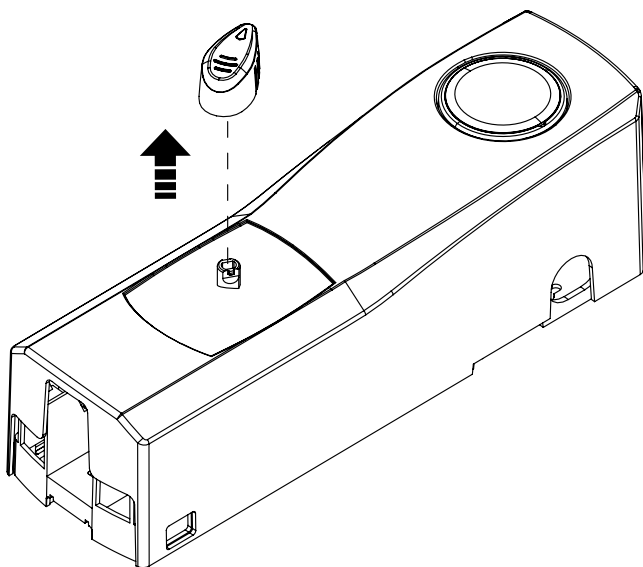
PZ2



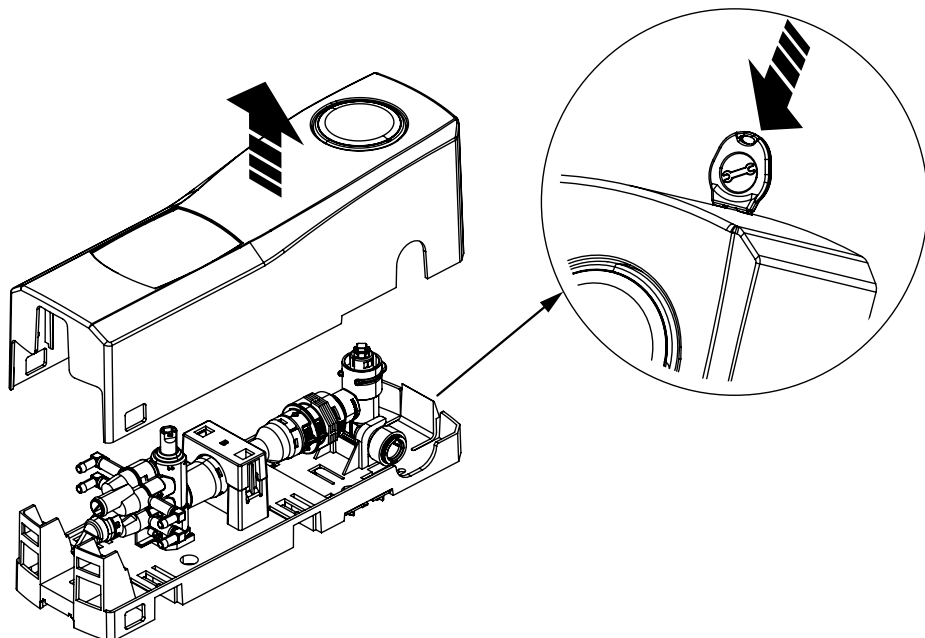
6mm



1i

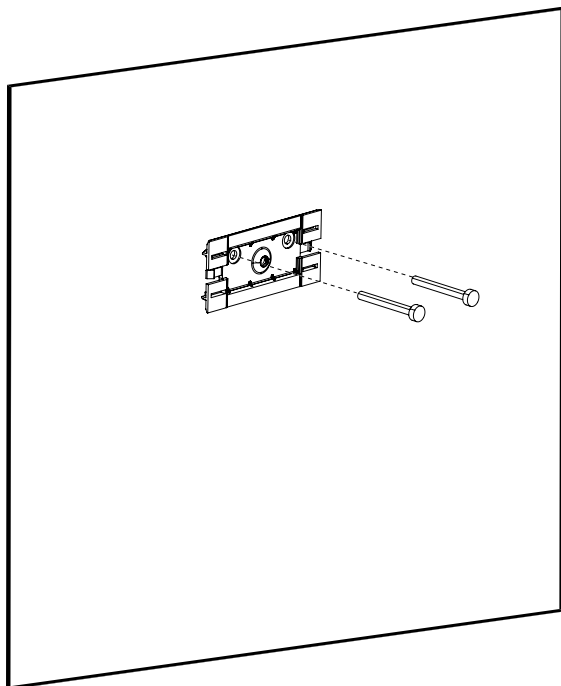


1ii

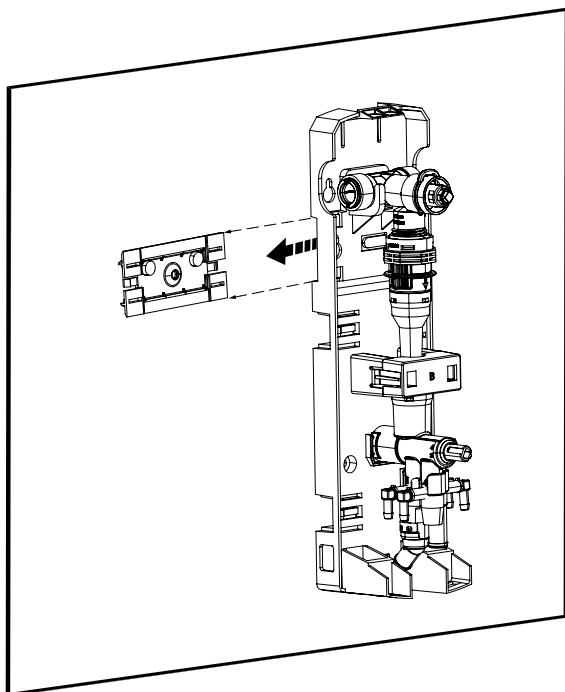


5

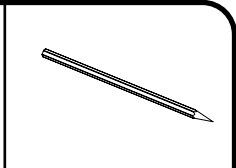
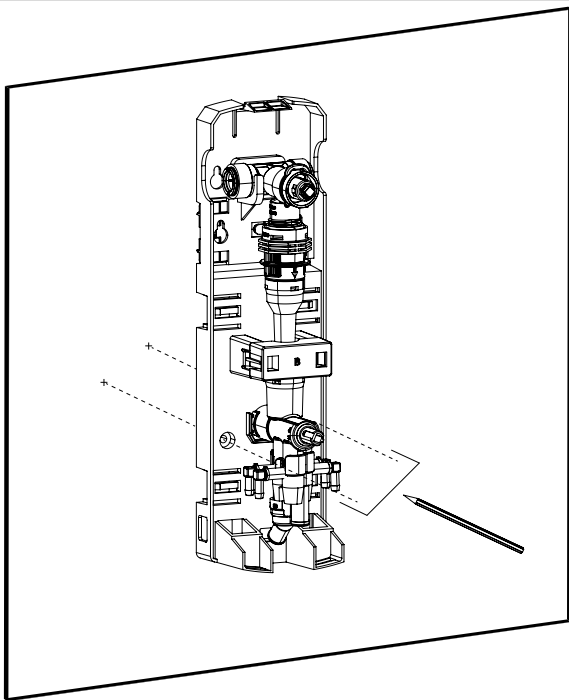
2i



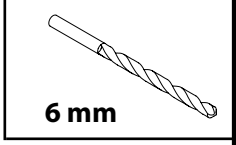
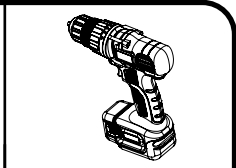
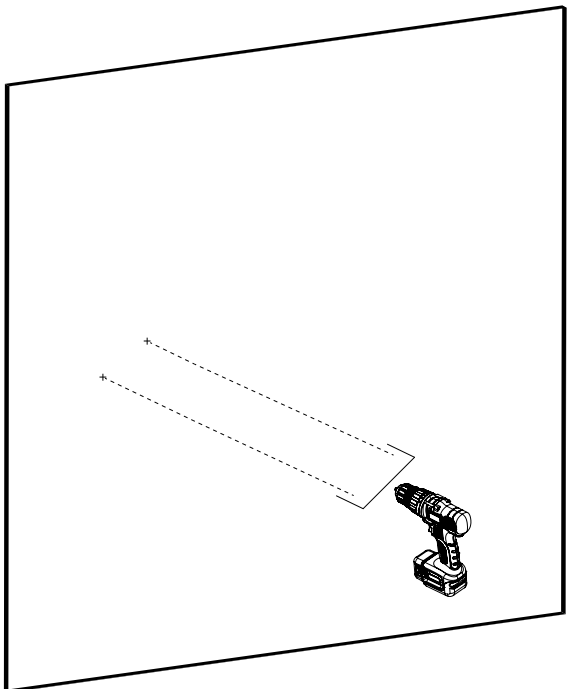
2ii



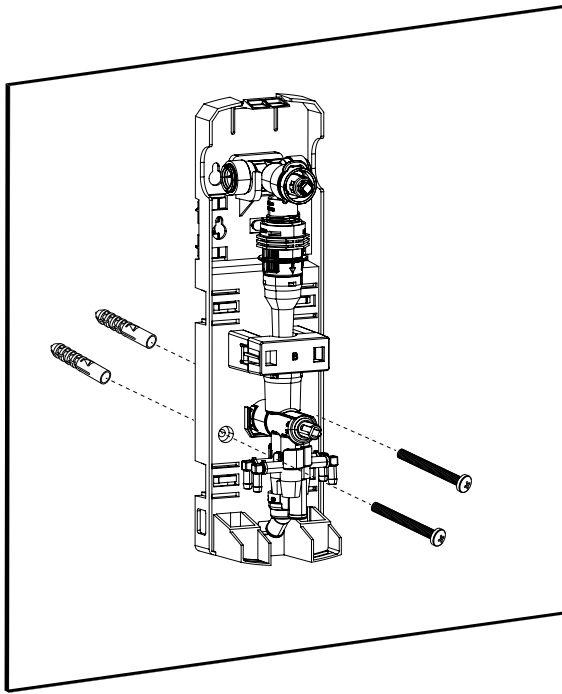
2iii



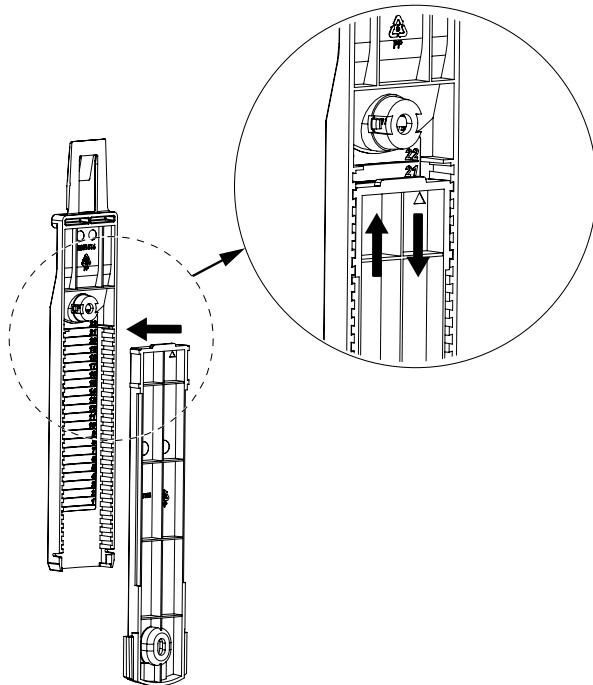
2iv



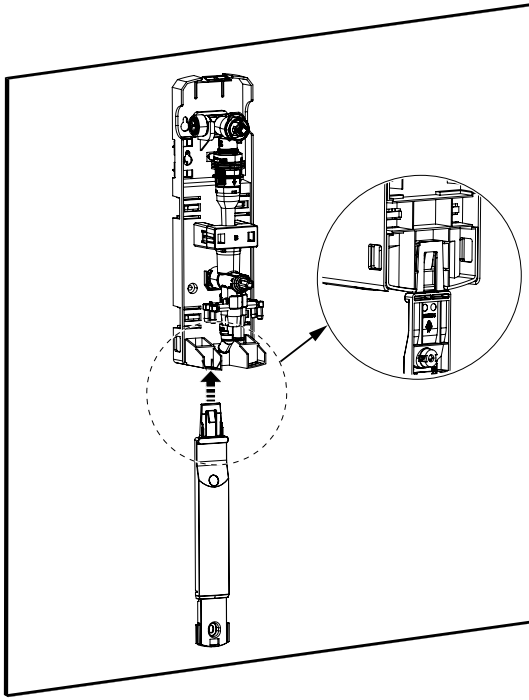
2v



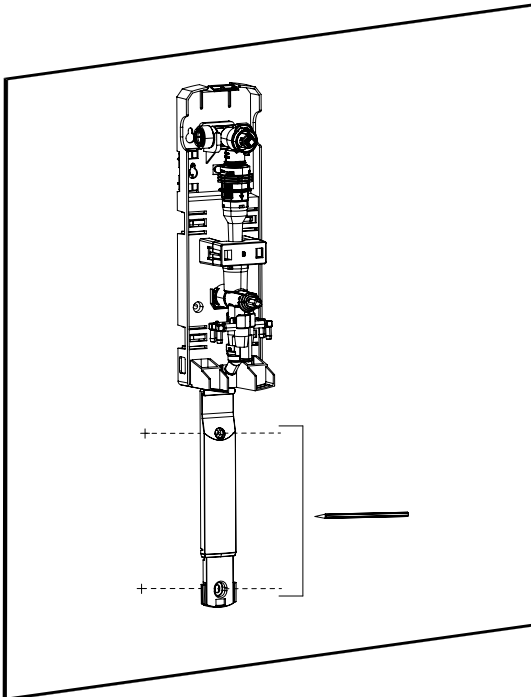
3



4

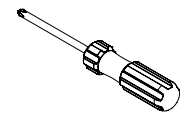
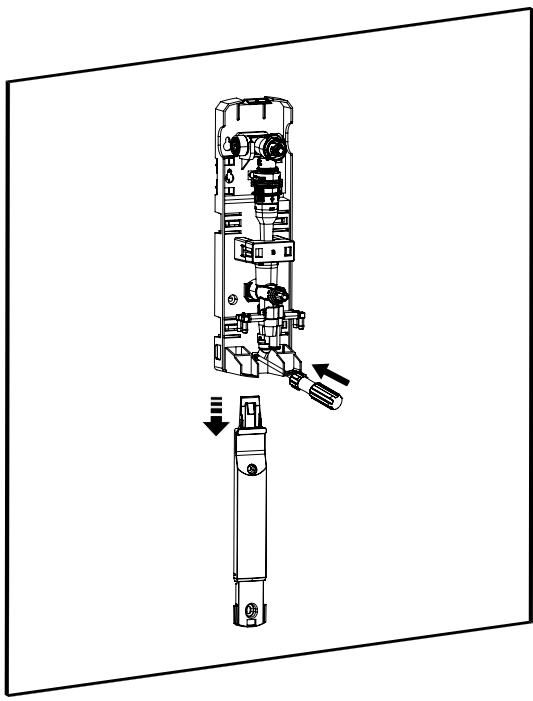


5



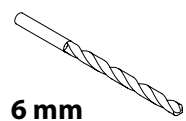
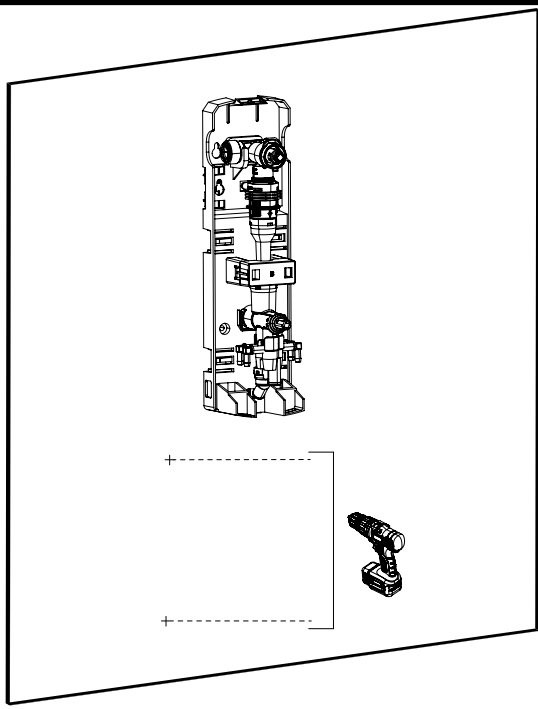
9

6



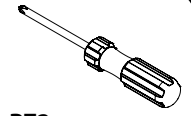
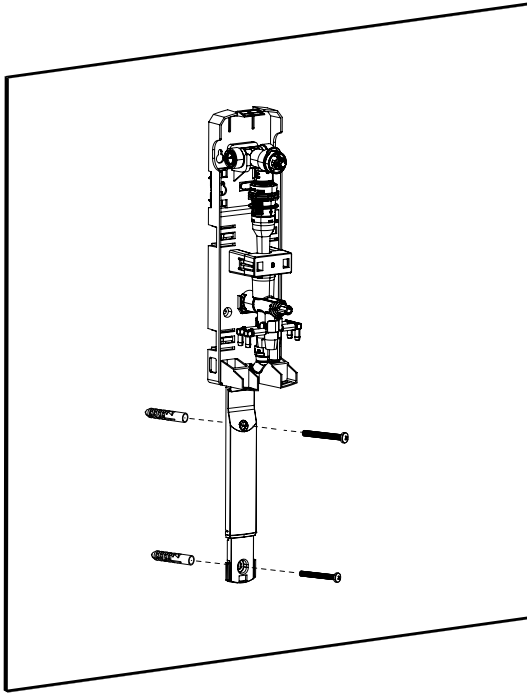
PZ2

7



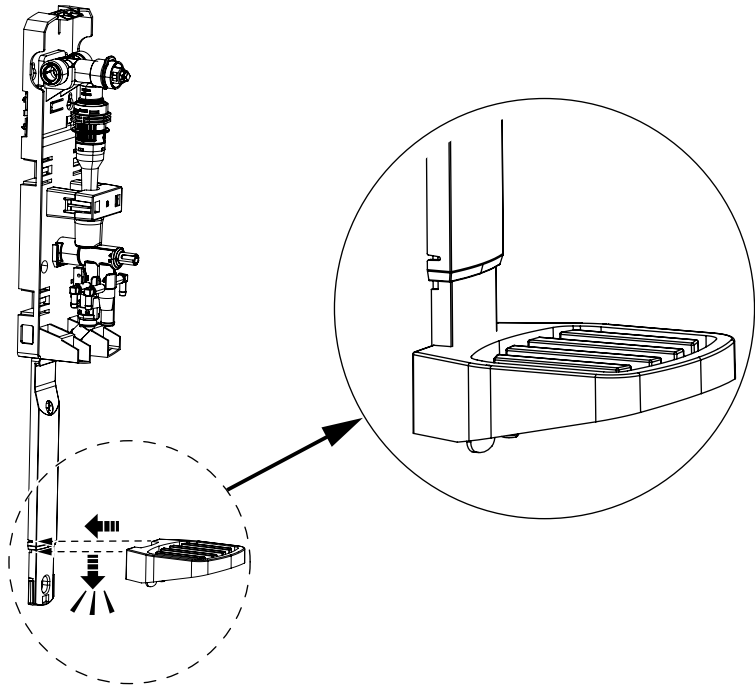
6 mm

8



PZ2

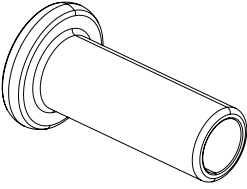
9



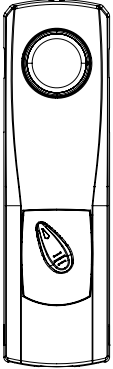
11

10

10a



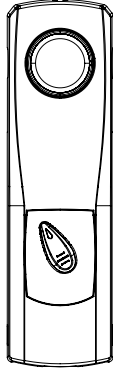
Ø15



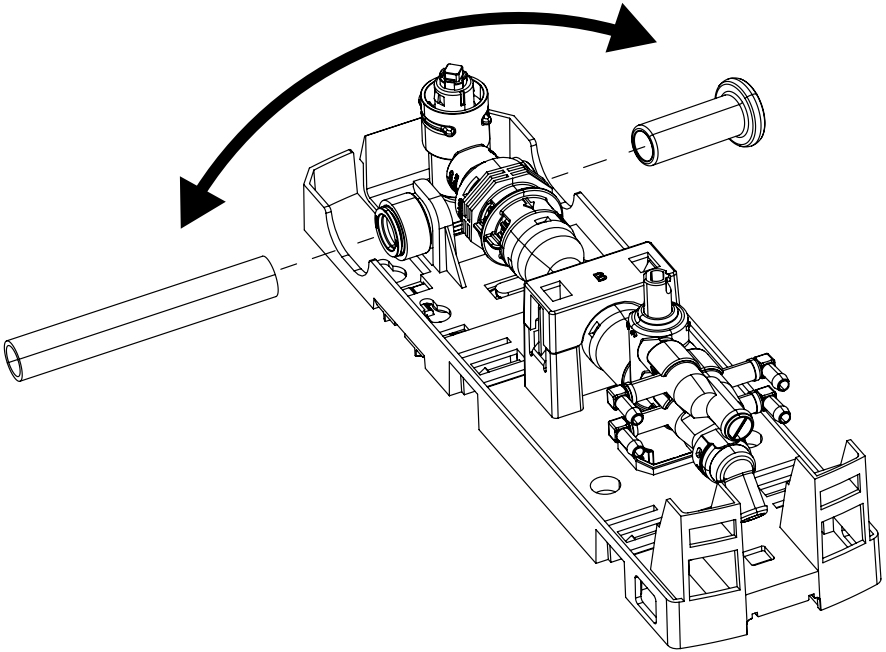
10b



Ø15 x 99.5 mm

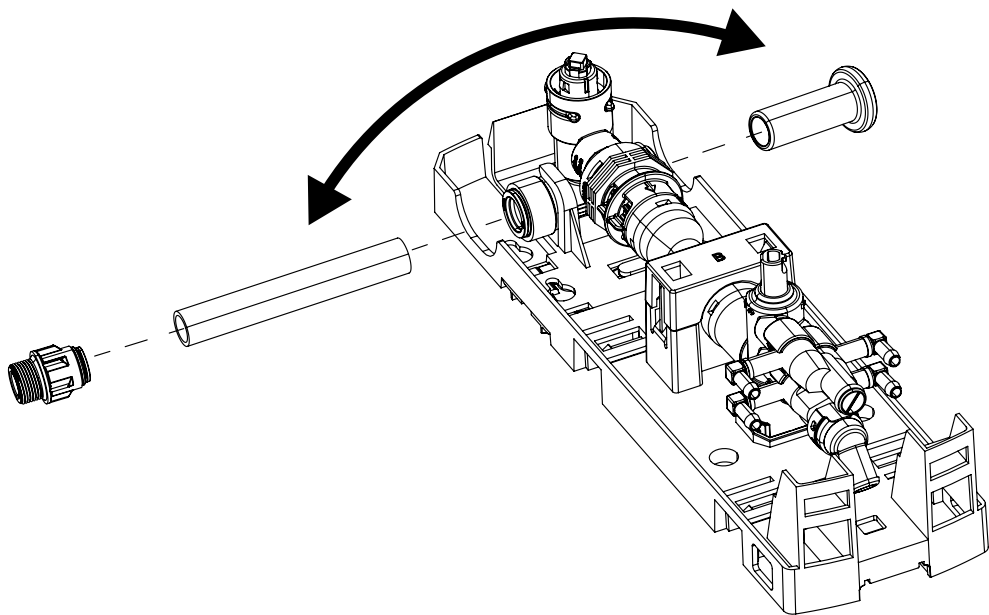


10a

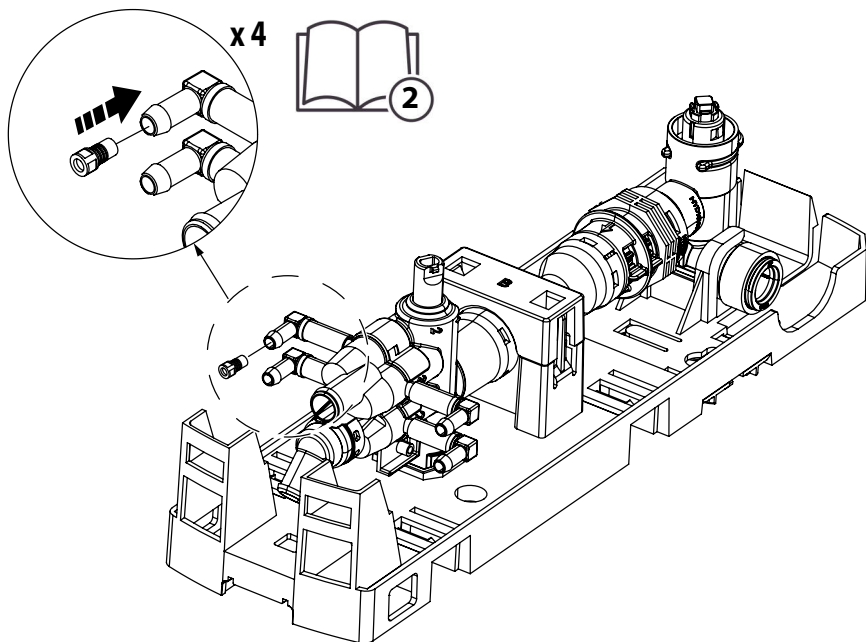


12

10b

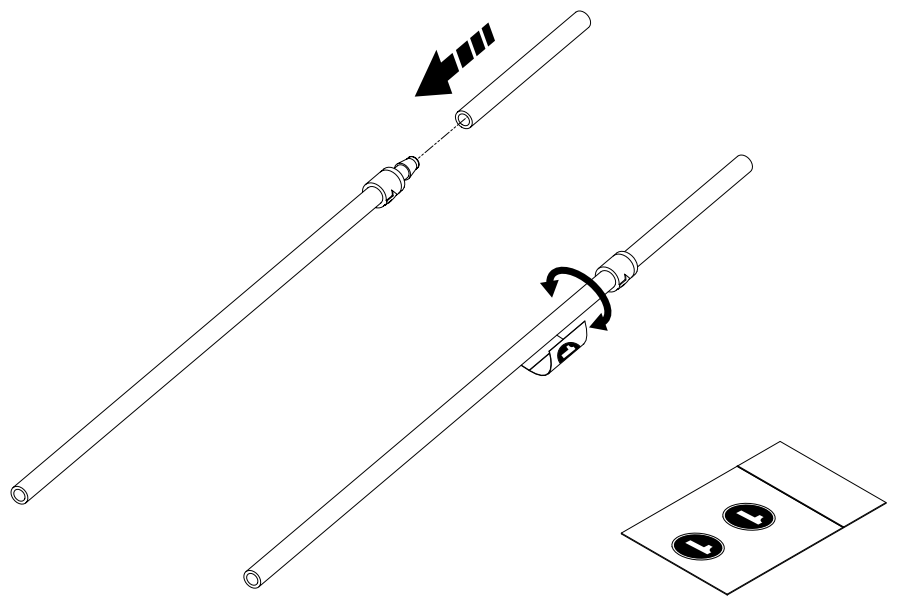


11i

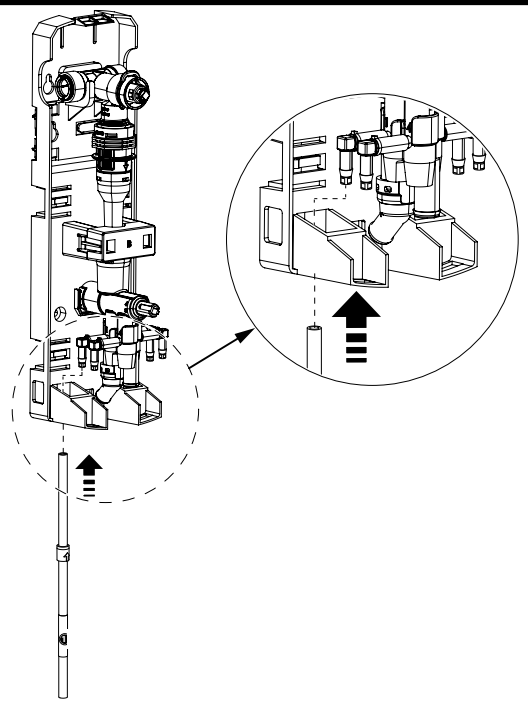


13

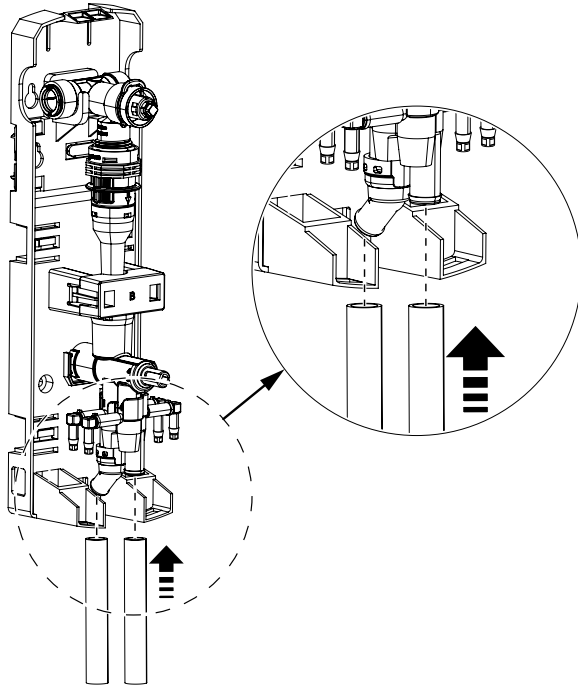
11ii



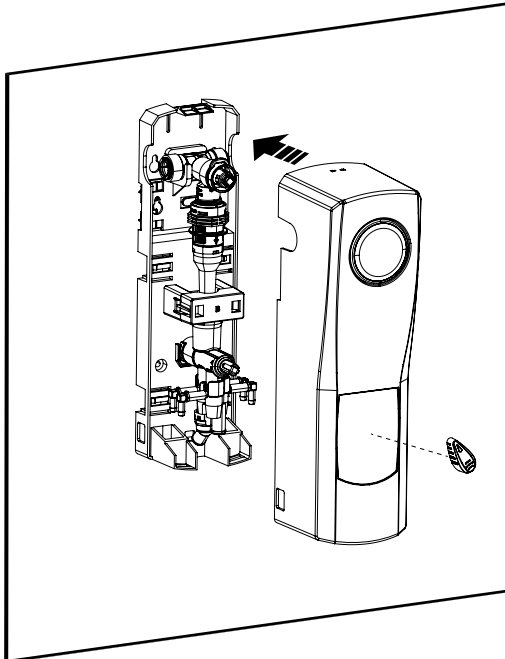
11iii



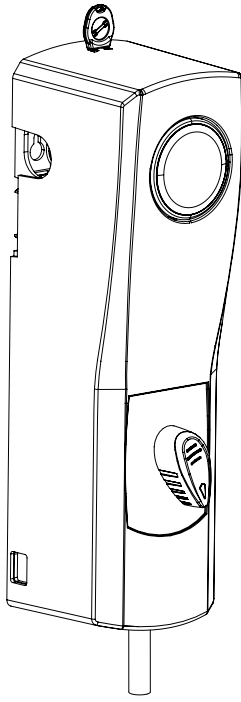
12



13

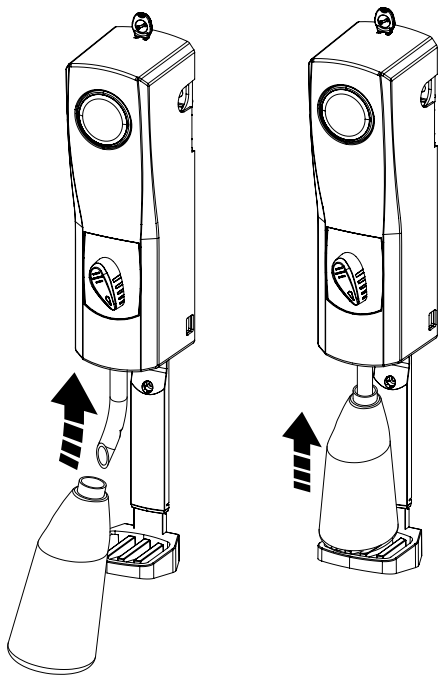


15

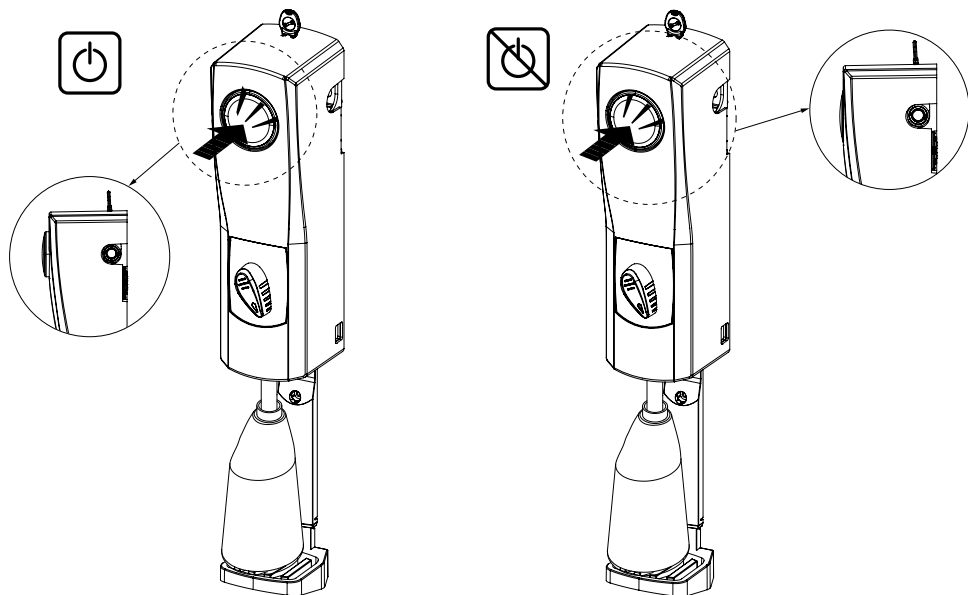


Operation

1

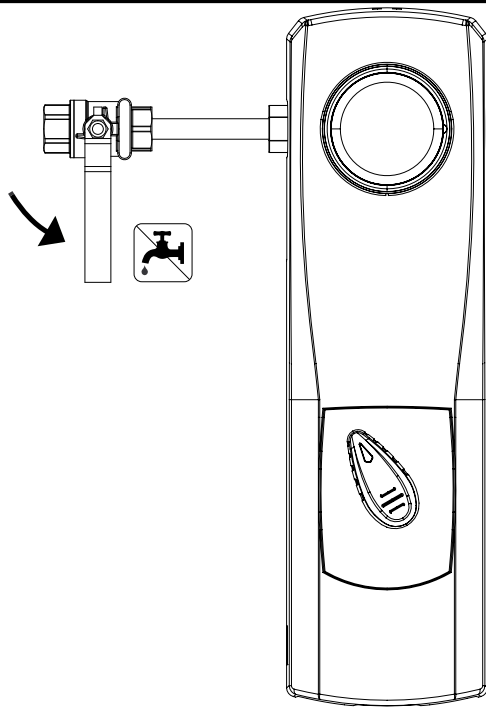


2

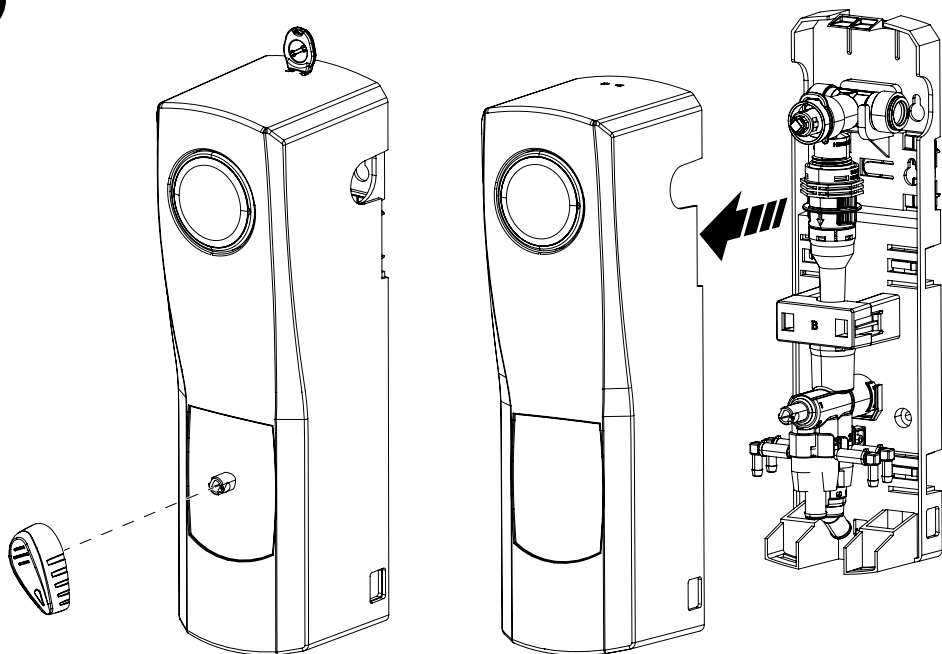


Maintenance

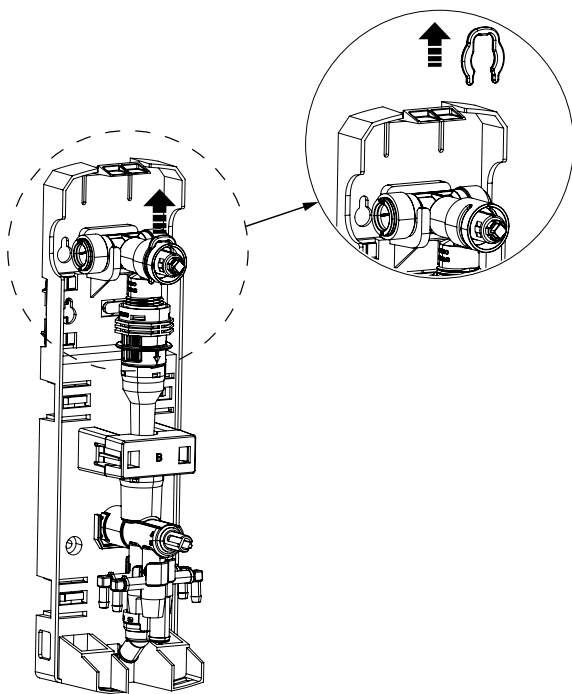
1



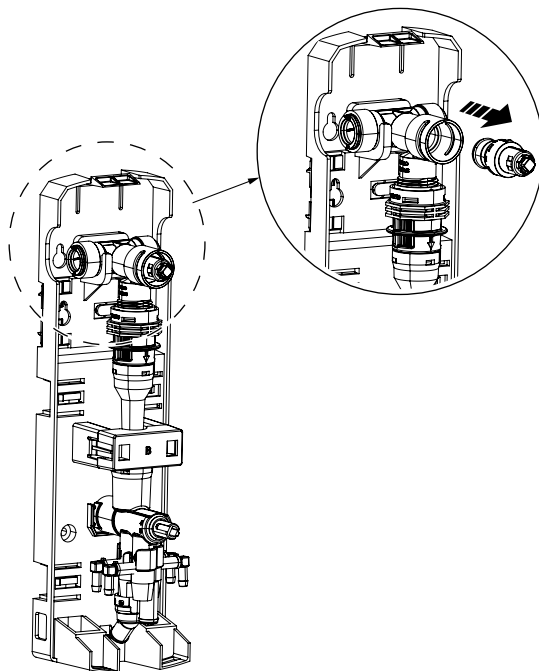
2



3i

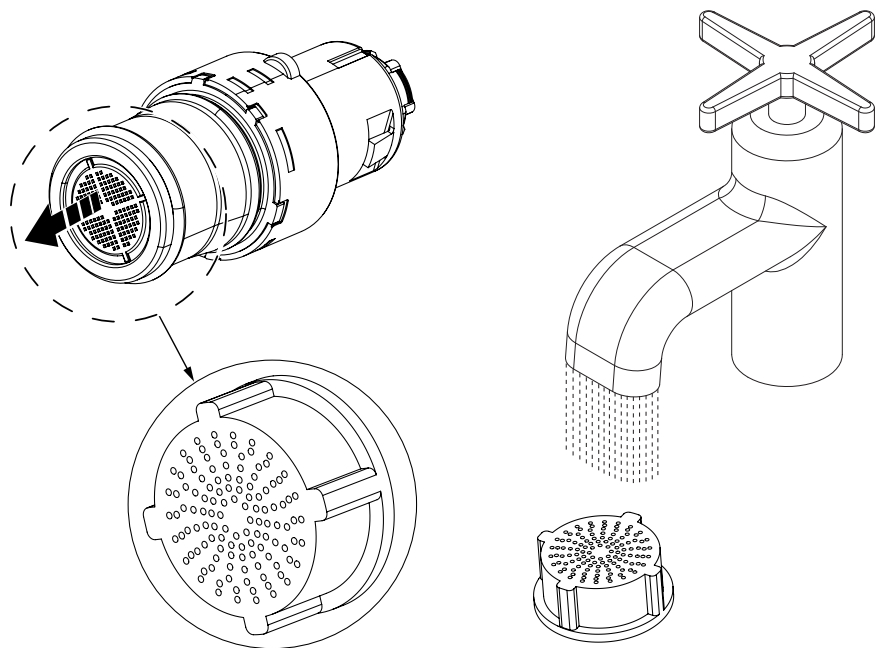


3ii

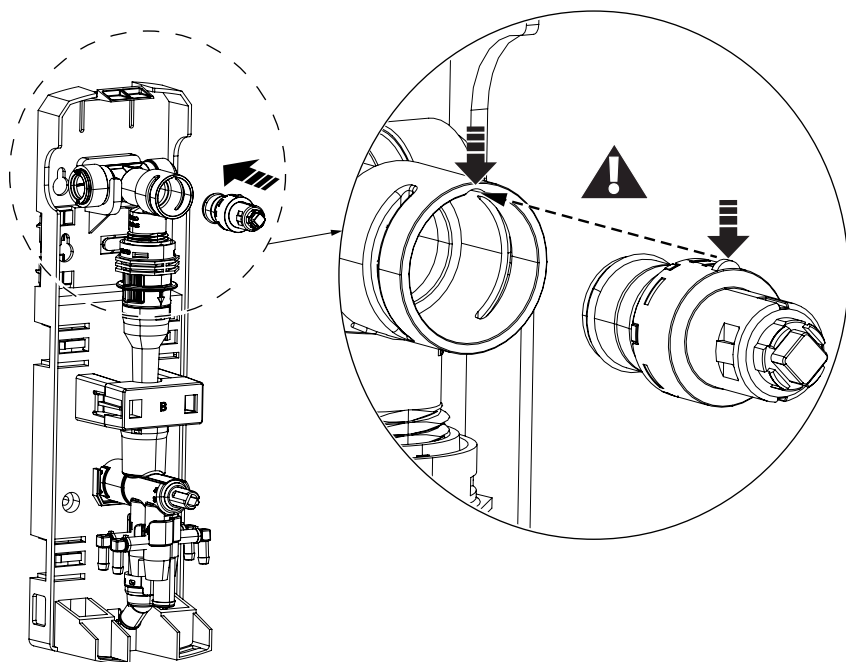


21

3iii



3iv



4

