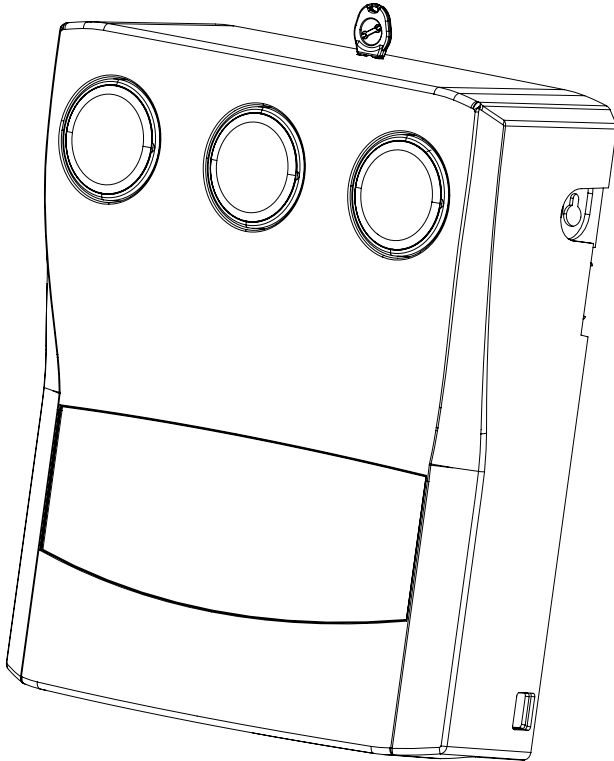
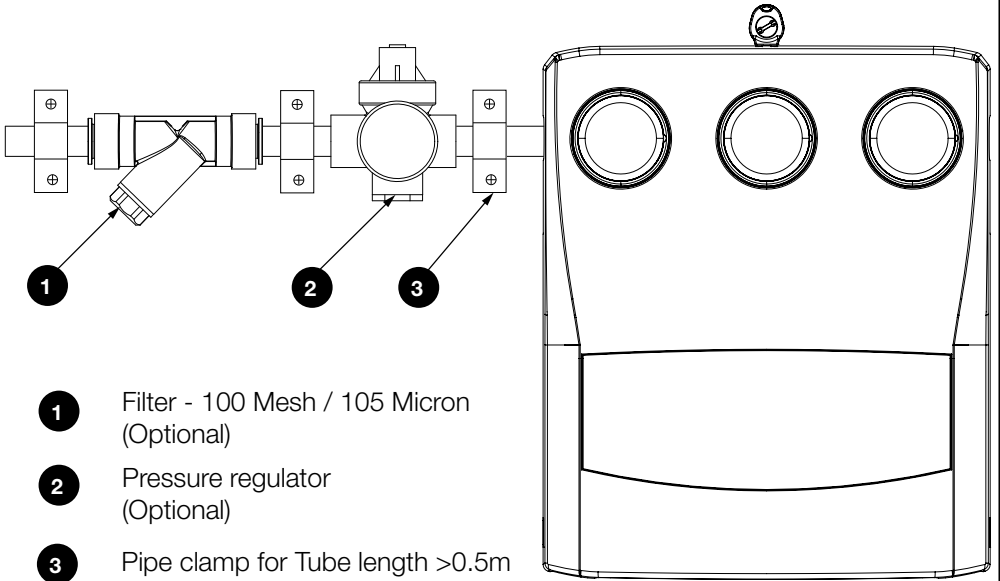


EvoDose NXT

Instruction Manual






- 1** Filter - 100 Mesh / 105 Micron (Optional)
- 2** Pressure regulator (Optional)
- 3** Pipe clamp for Tube length >0.5m



min 1°C
max 23°C



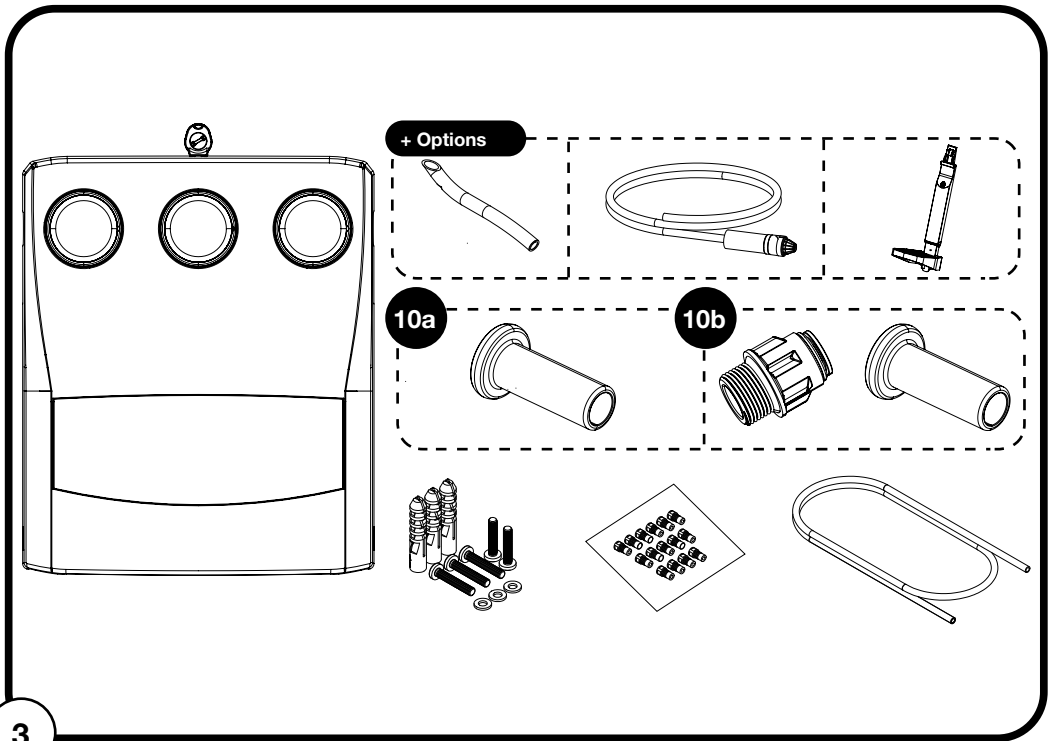
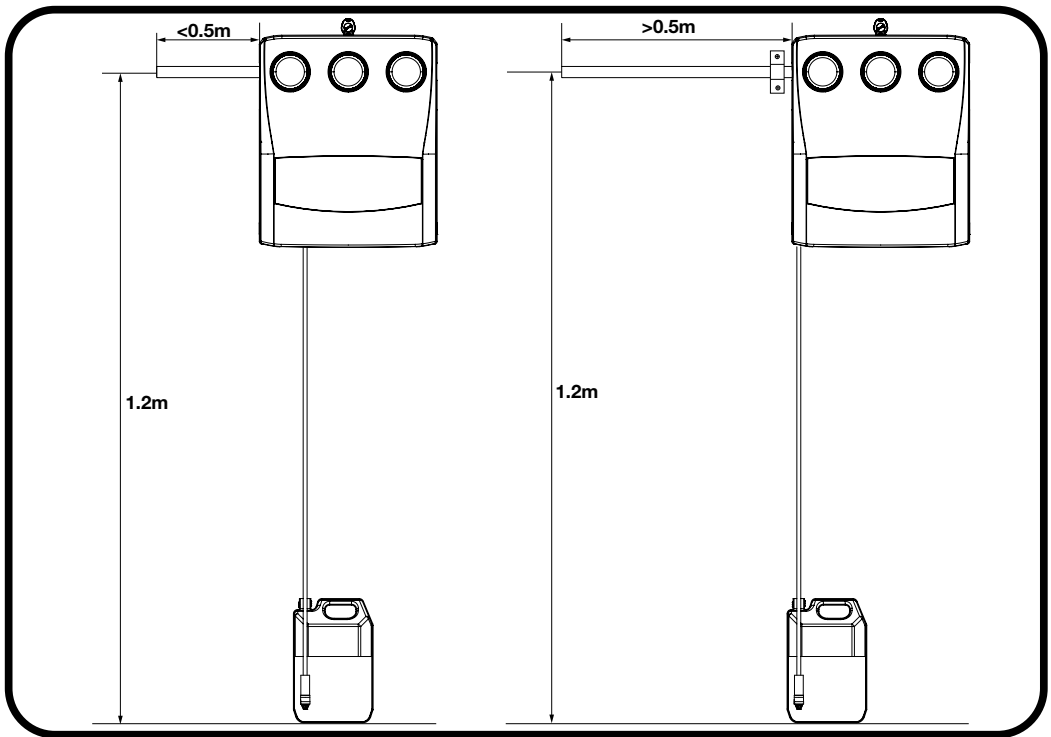
min 1.75 bar Dynamic
max 6 bar Static



Installation	- 4
Operation	- 16
Maintenance	- 19

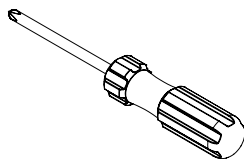
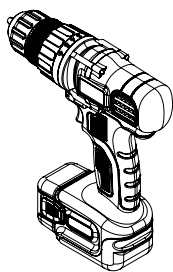
Dilution tip chart

Colour	Bucket Fill		Bottle Fill	
	Ratio X:1	%	Ratio X:1	%
Grey	5	16.7	3	25
Black	5	16.7	3	25
Beige	8	11.1	3	25
Red	15	6.3	5	16.7
White	21	4.5	7	12.5
Blue	23	4.2	8	11.1
Medium Brown (tan)	32	3	10	9.1
Green tip	58	1.7	17	5.6
Orange	61	1.6	19	5
Dark Brown	80	1.2	23	4.2
Yellow	109	0.9	28	3.4
Aqua	118	0.8	36	2.7
Purple	203	0.5	59	1.7
Pink tip	389	0.3	119	0.8
Clear	-	-	-	-
Without tip	4	20	3	25

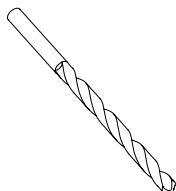


Installation

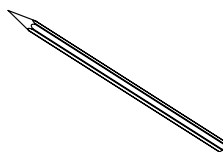
Tools



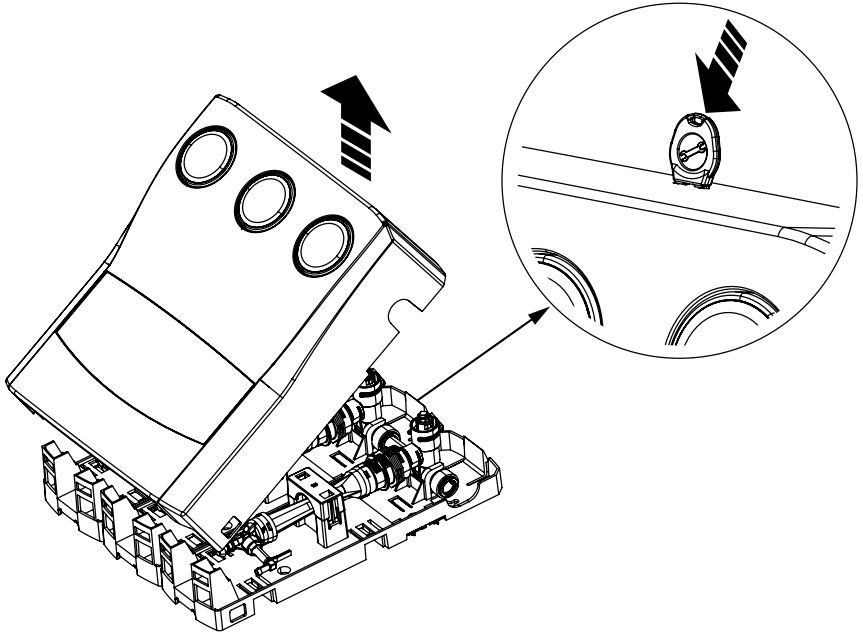
PZ2



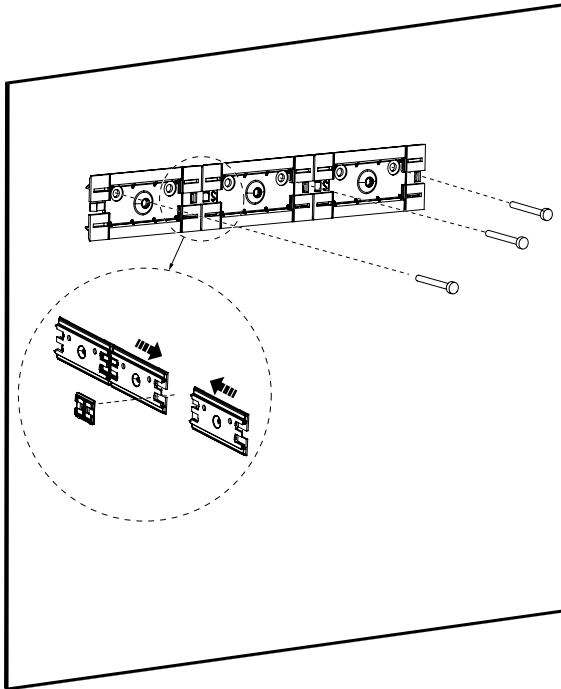
6mm



1

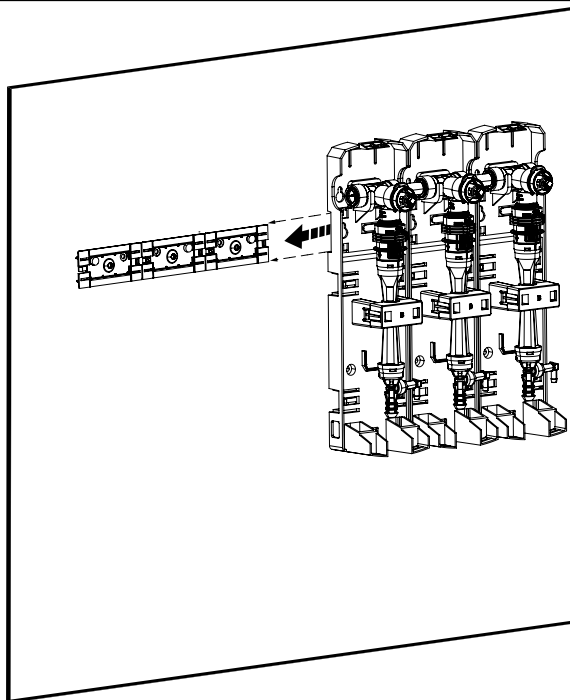


2i

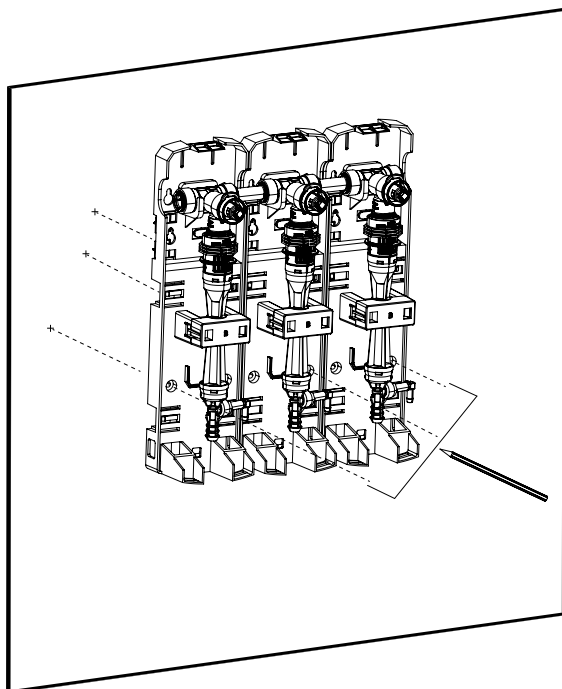


5

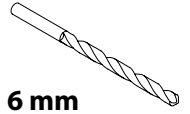
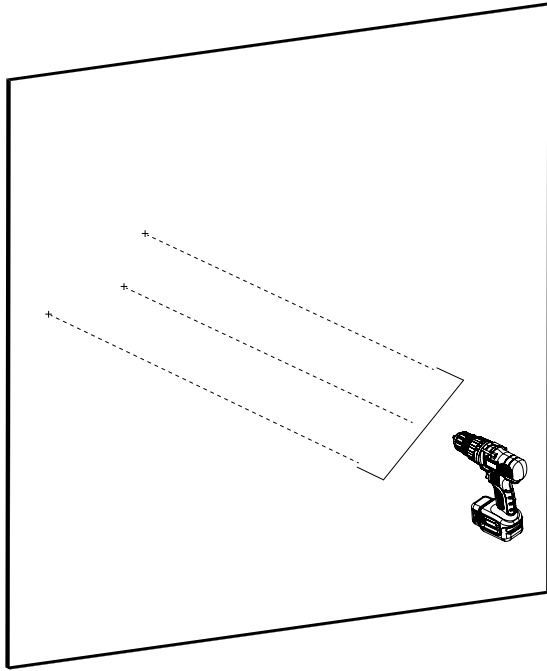
2ii



2iii

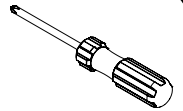
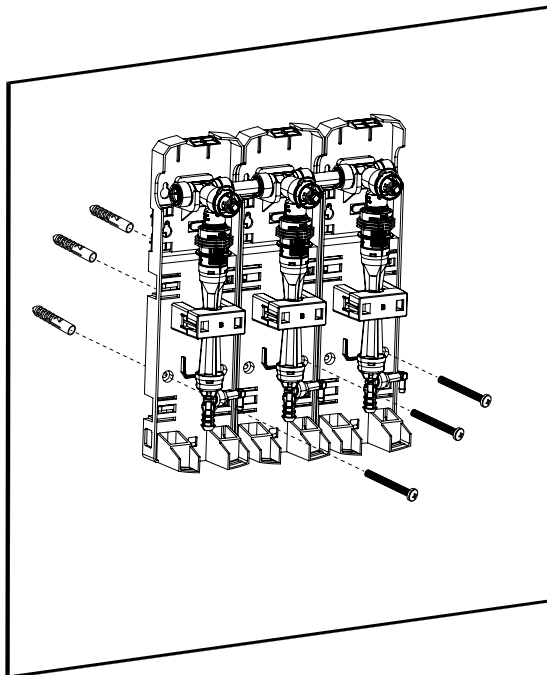


2iv



6 mm

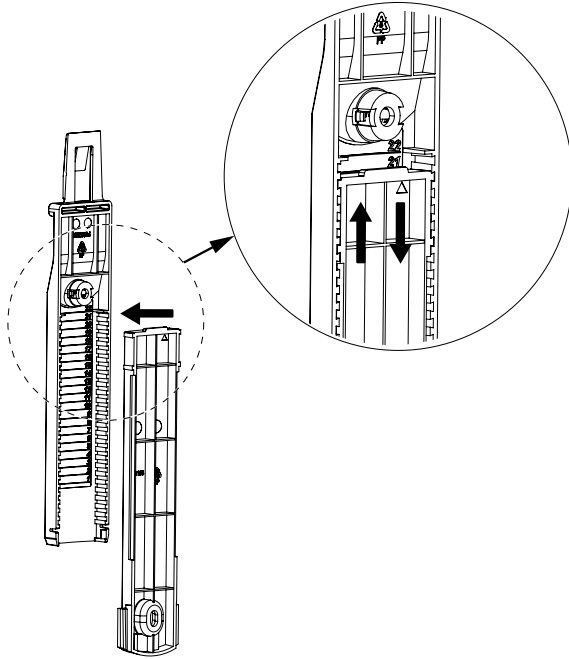
2v



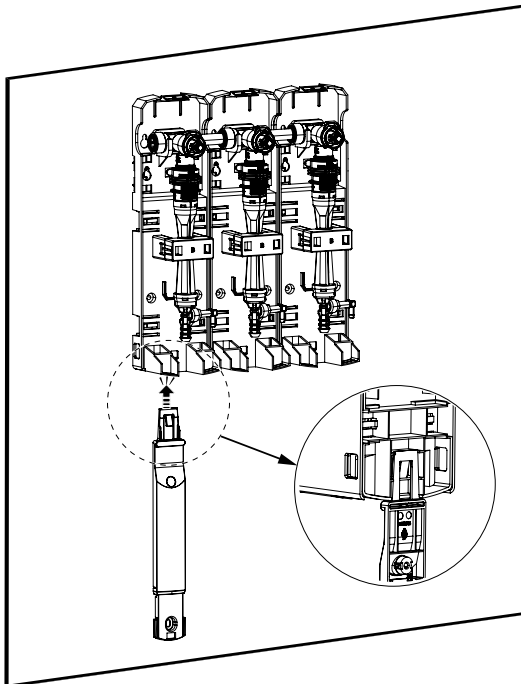
PZ2

7

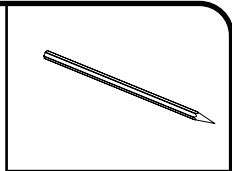
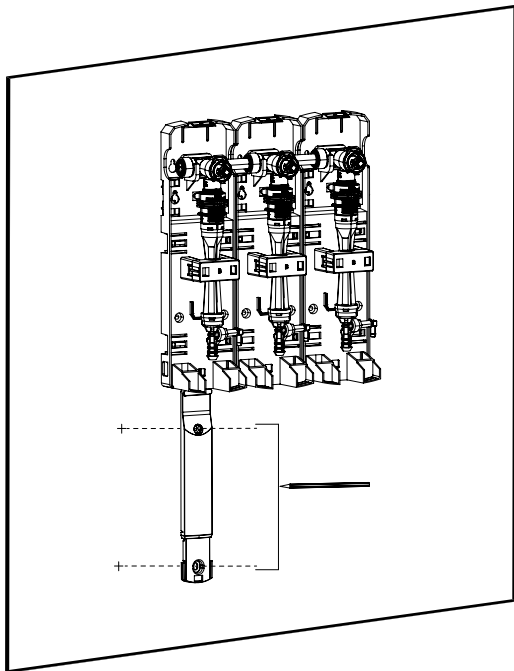
3



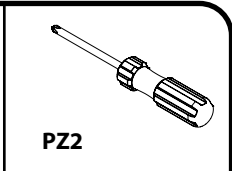
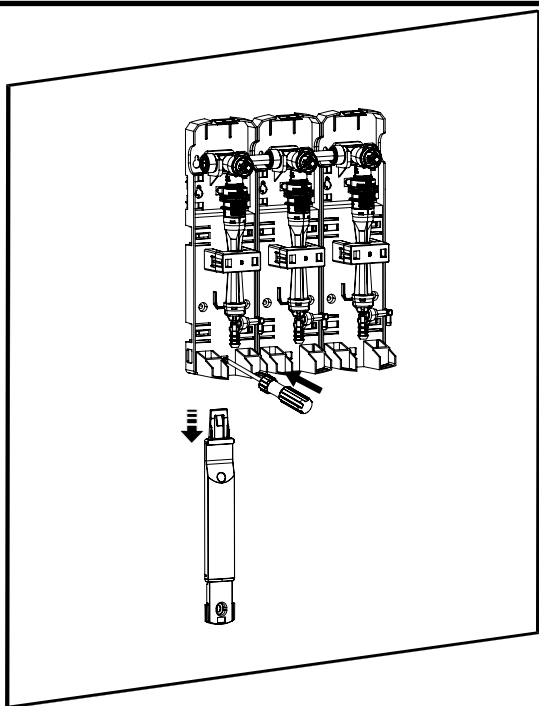
4



5

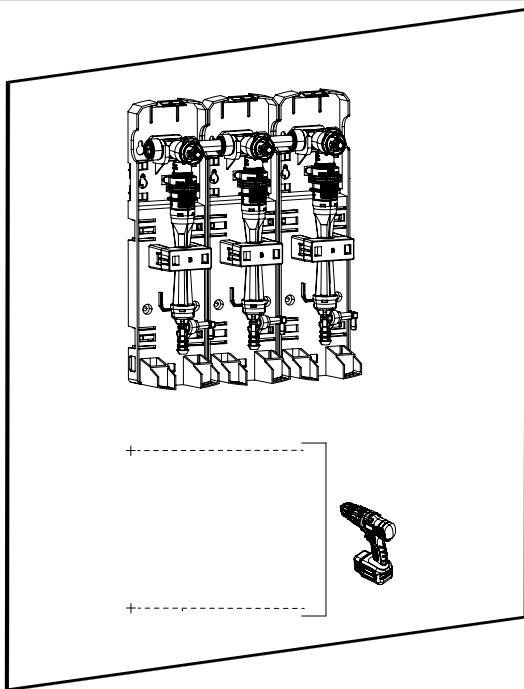


6



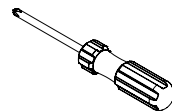
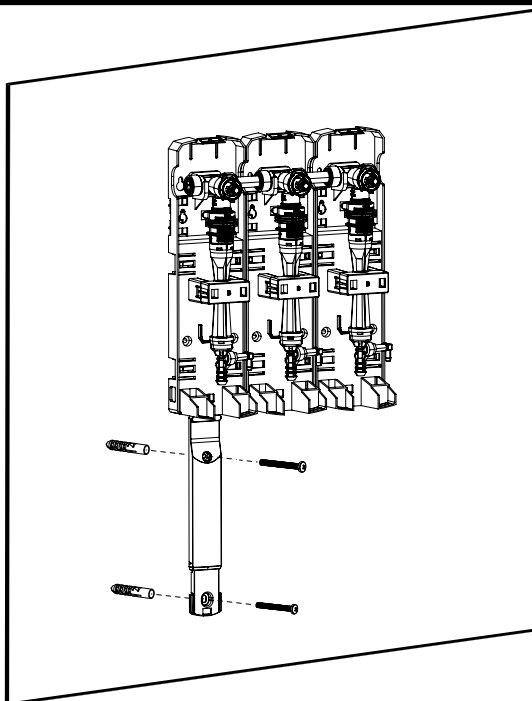
9

7



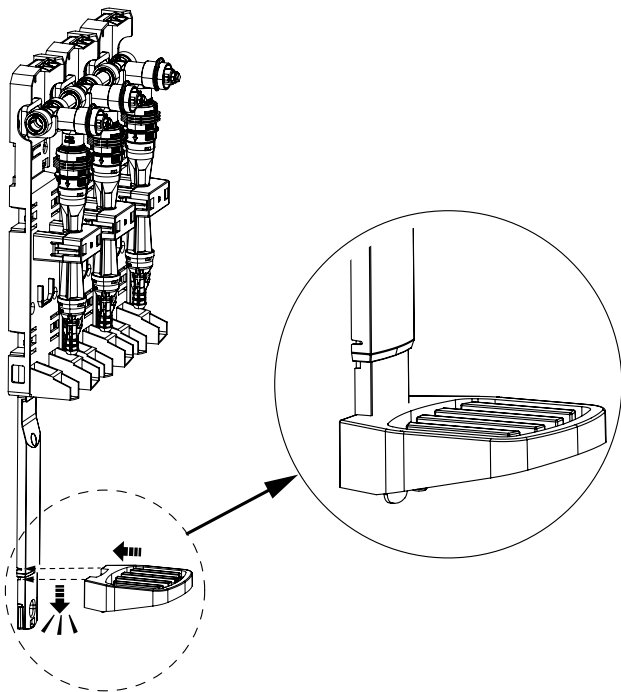
6 mm

8



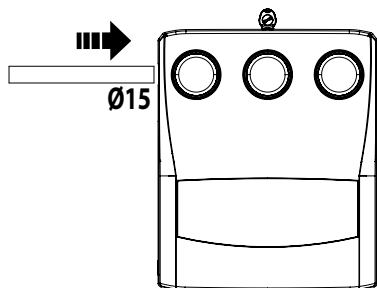
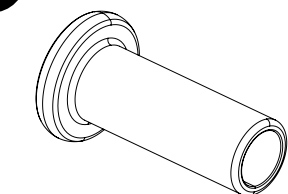
PZ2

9

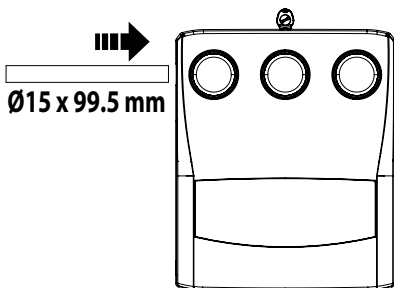
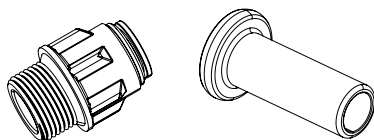


10

10a

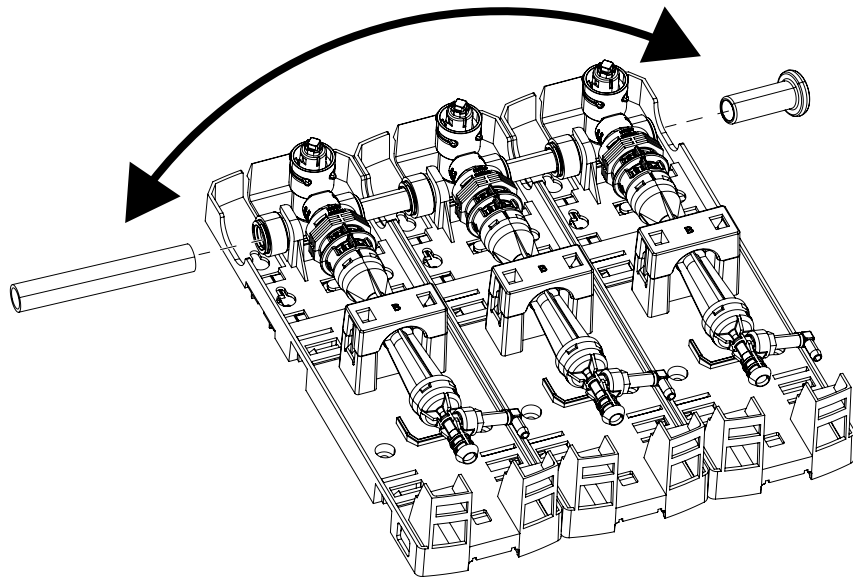


10b

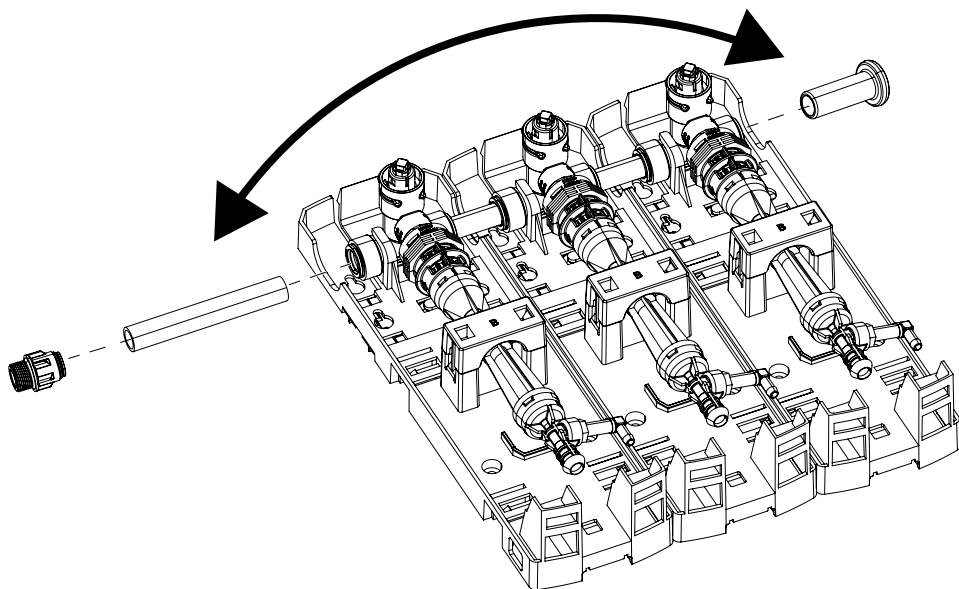


11

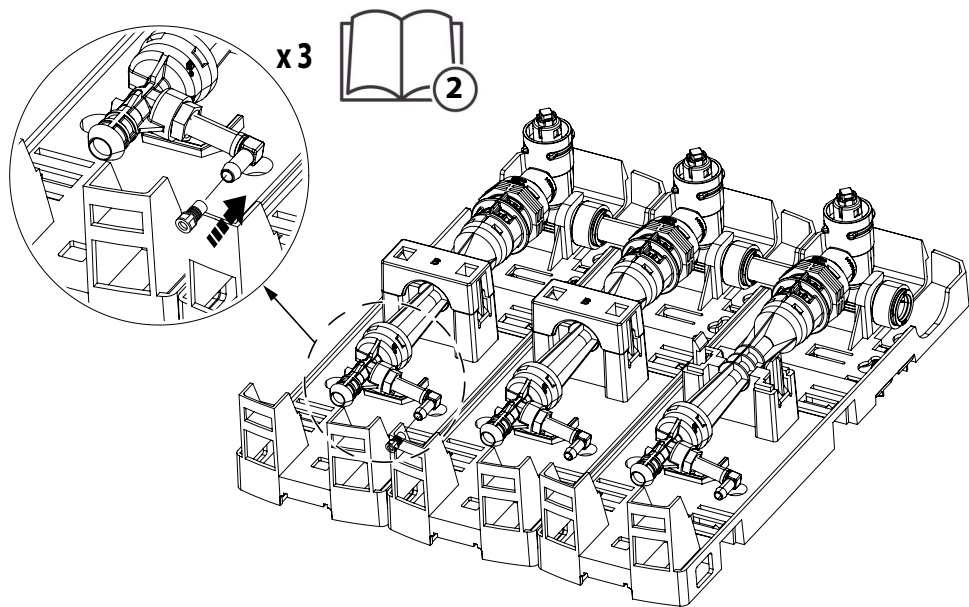
10a



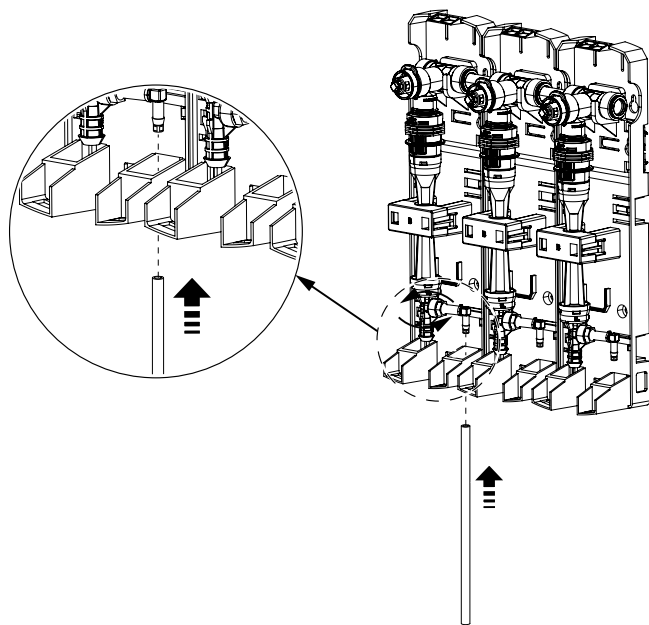
10b



11i

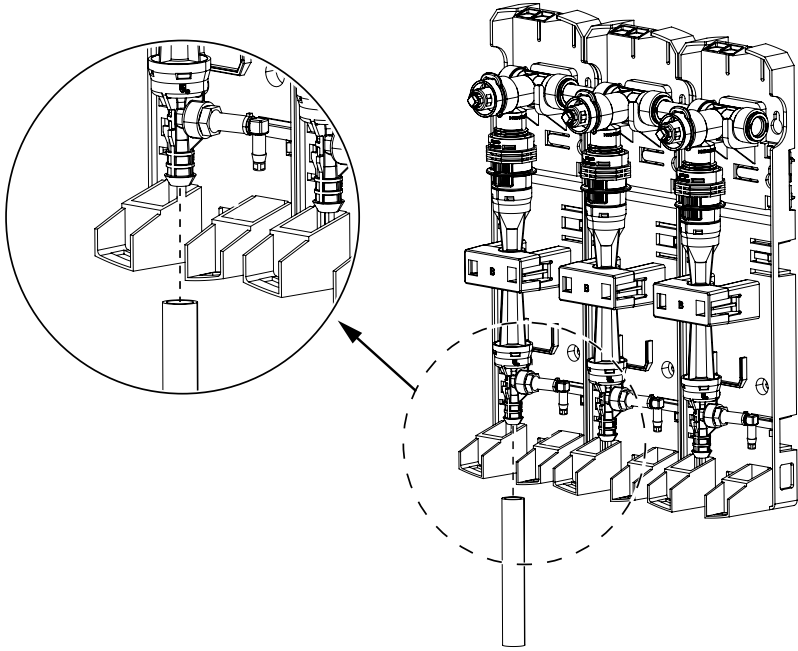


11ii

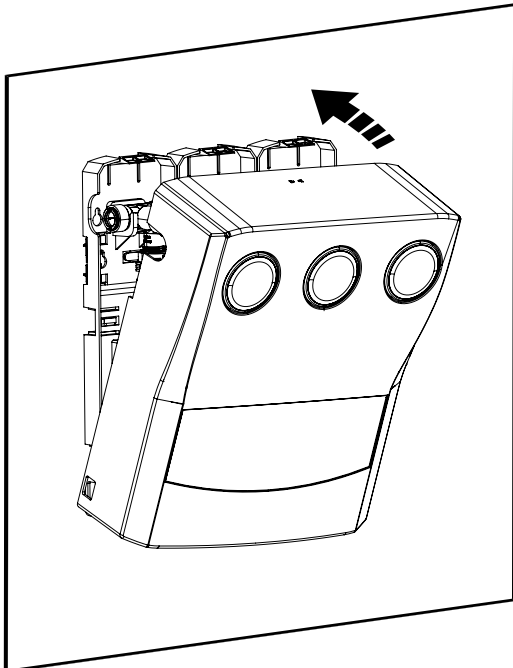


13

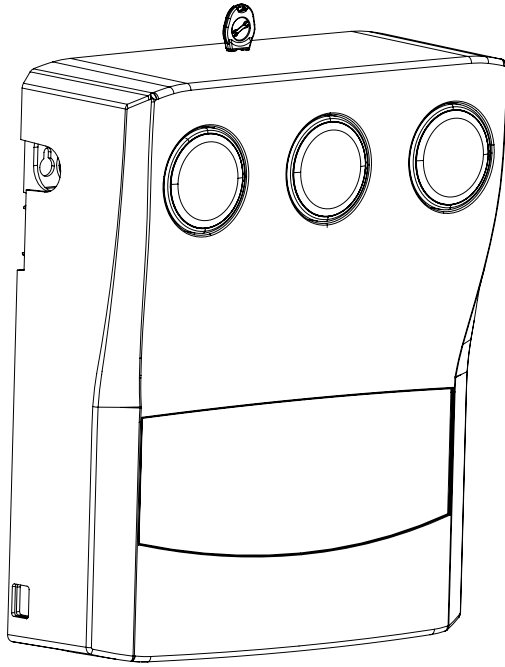
12



13

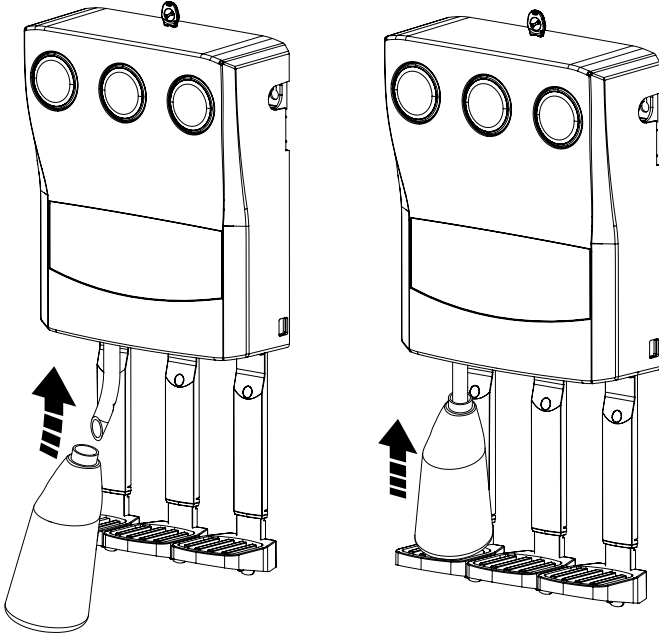


14

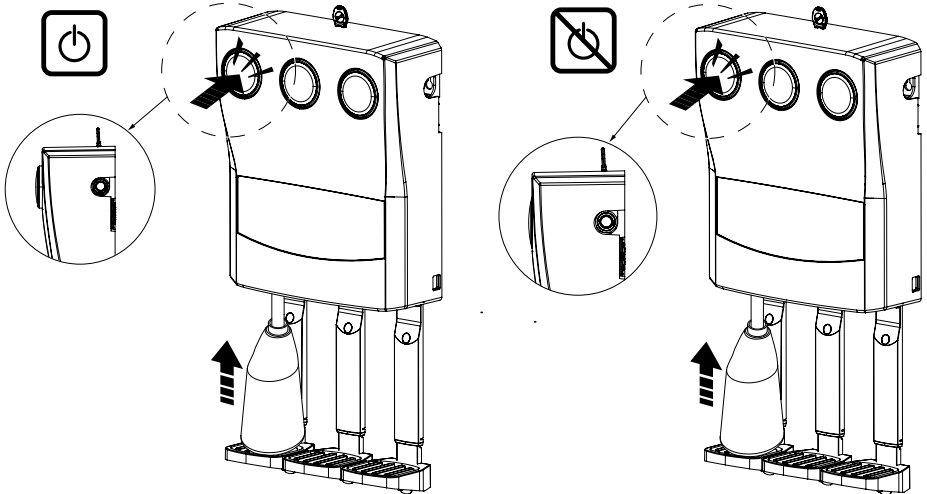


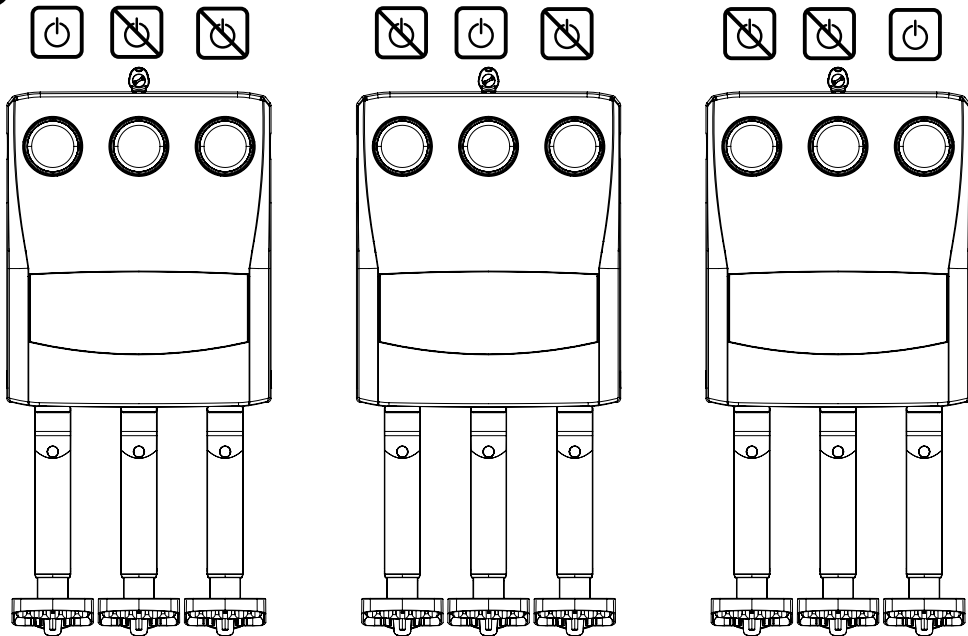
Operation

1



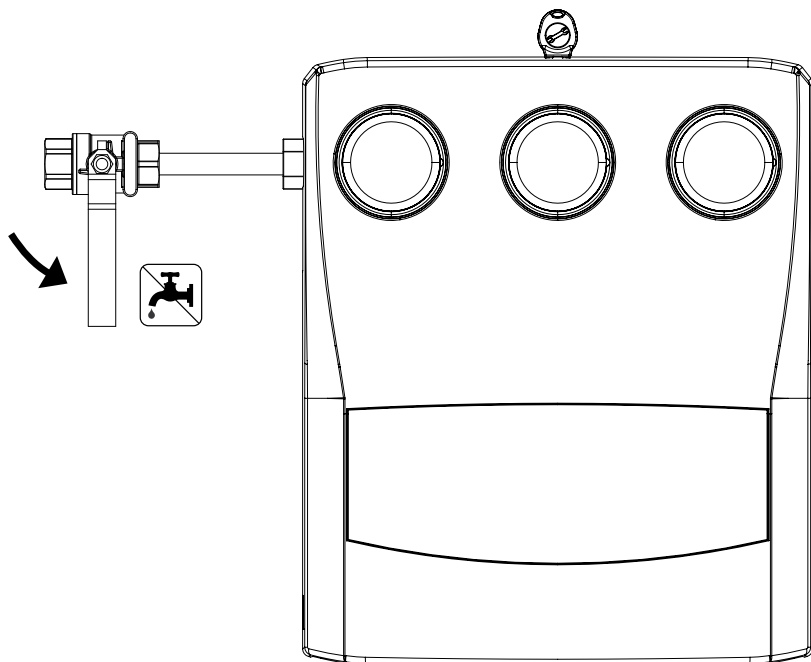
2



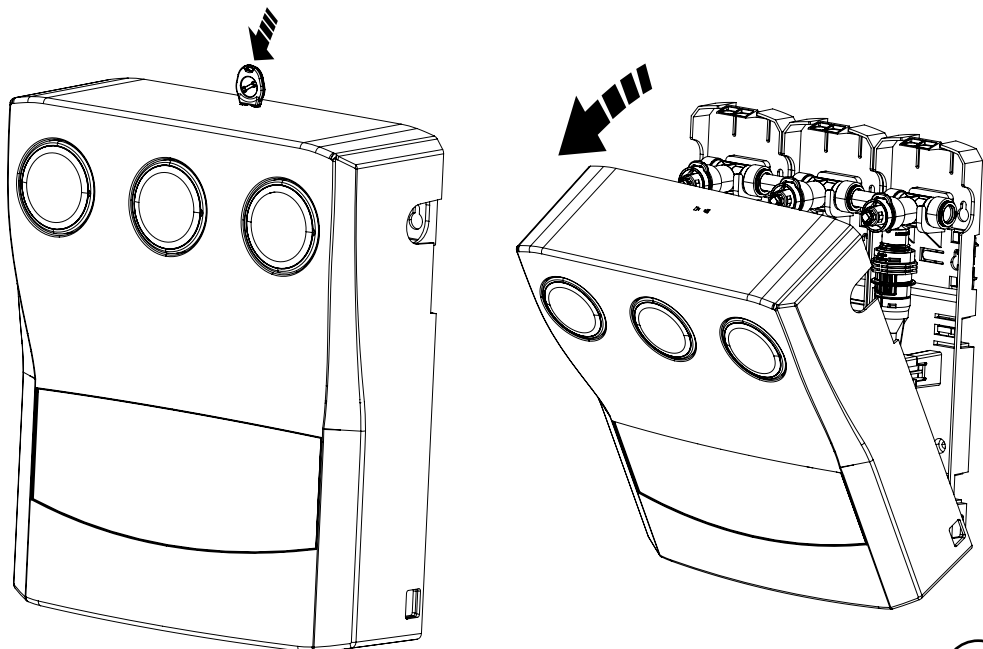


Maintenance

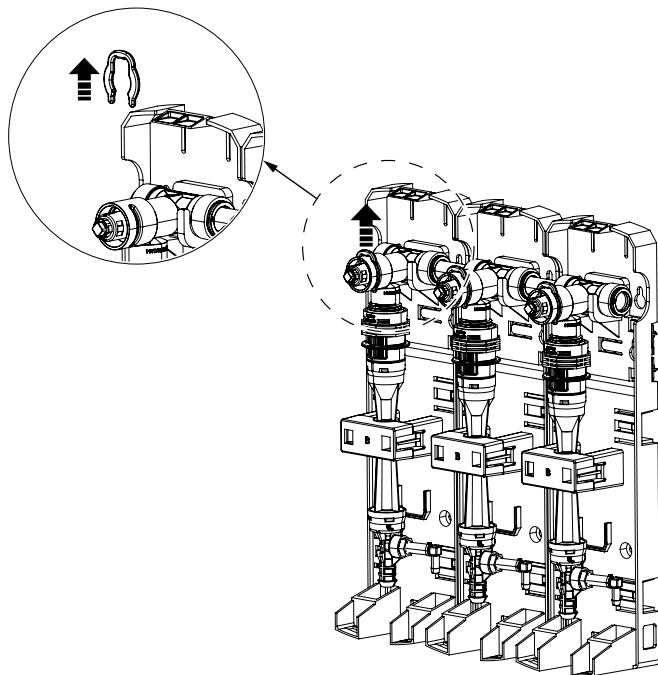
1



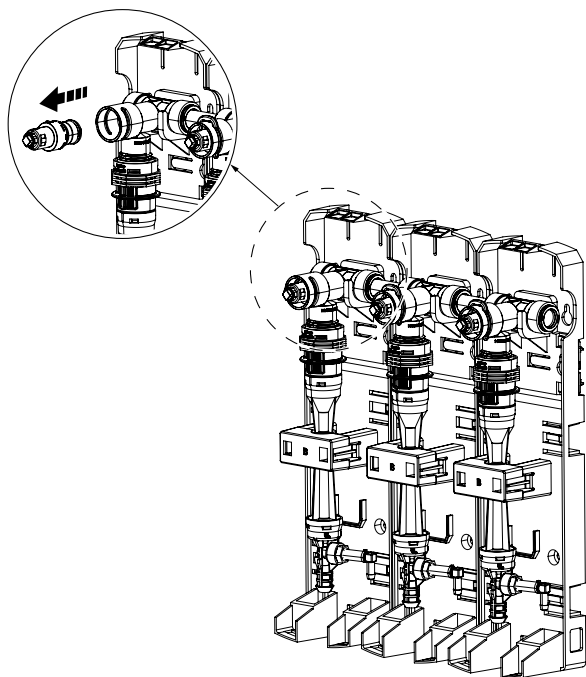
2



3i

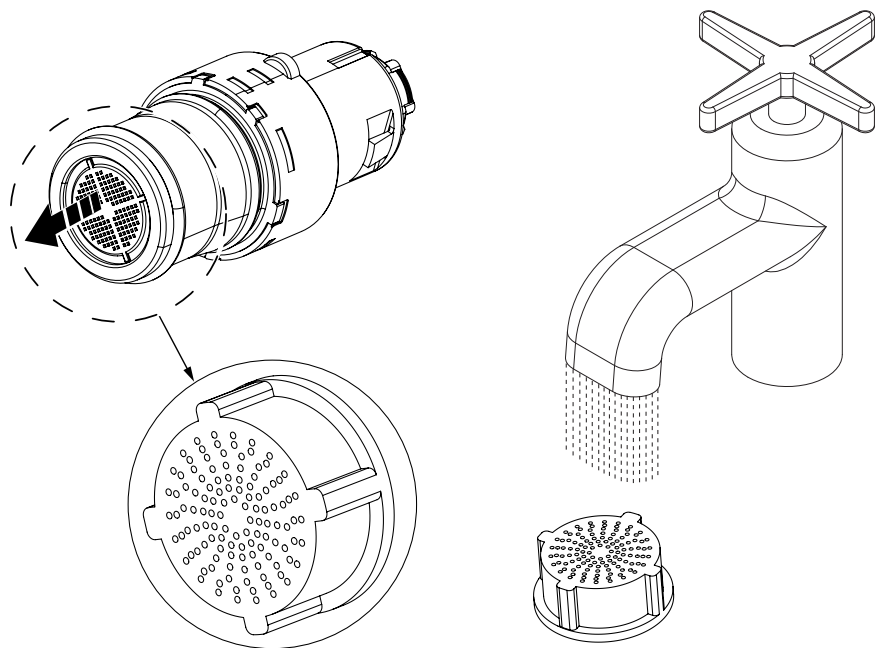


3ii



21

3iii



3iv

