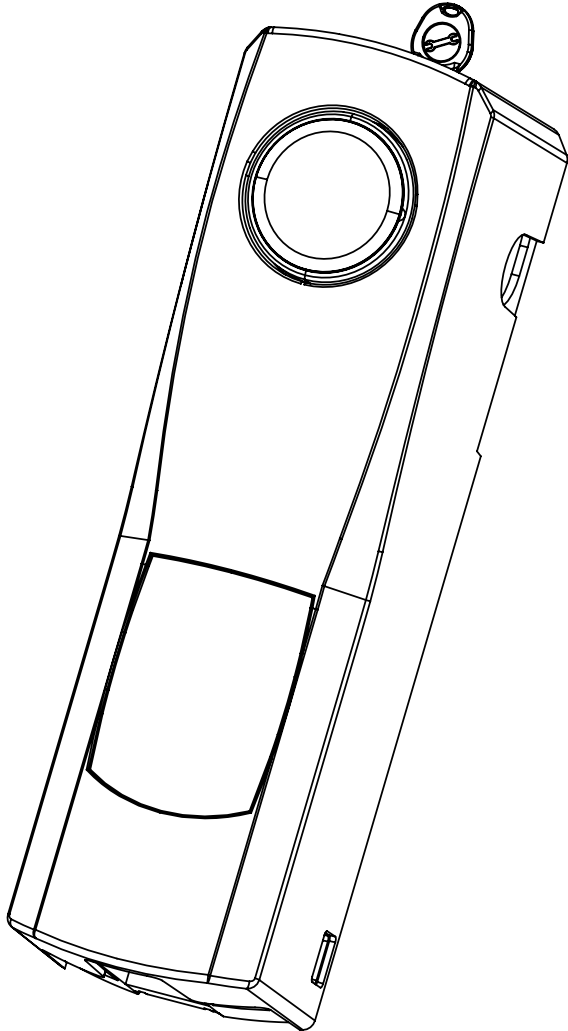
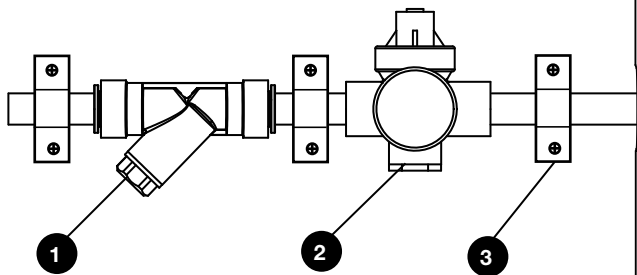


# EvoDose NXT

## Instruction Manual






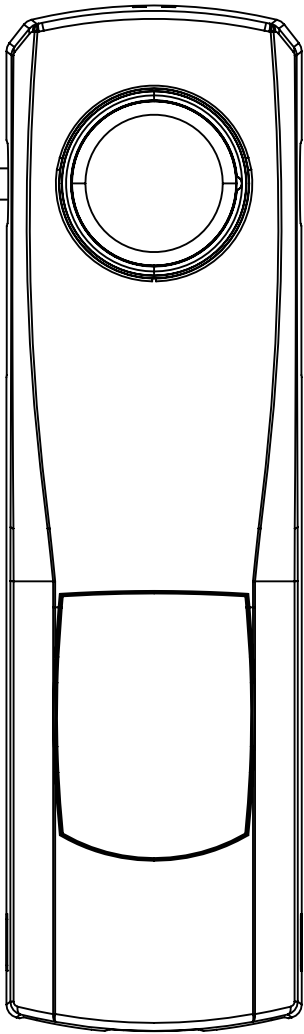
- 1** Filter - 100 Mesh / 105 Micron (Optional)
- 2** Pressure regulator (Optional)
- 3** Pipe clamp for Tube length >0.5m



min 1°C  
max 23°C



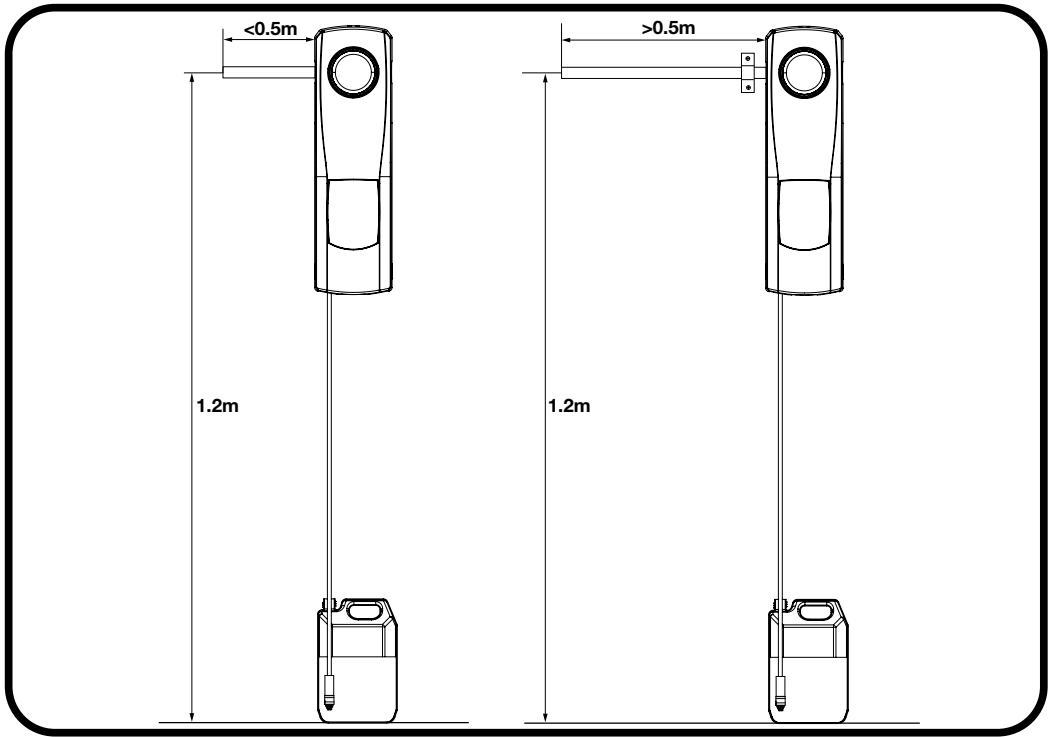
min 1.75 bar Dynamic  
max 6 bar Static



<b>Installation</b>	-	<b>4</b>
<b>Operation</b>	-	<b>16</b>
<b>Maintenance</b>	-	<b>18</b>

## Dilution tip chart

Colour	Bucket Fill				Bottle Fill			
	Ratio X:1		%		Ratio X:1		%	
	Single	QDV	Single	QDV	Single	QDV	Single	QDV
Grey	5	18	16.7	5.3	3	6	25	14.3
Black	5	18	16.7	5.3	3	7	25	12.5
Beige	8	20	11.1	4.8	3	7	25	12.5
Red	15	24	6.3	4	5	9	16.7	10
White	21	29	4.5	3.3	7	10	12.5	9.1
Blue	23	30	4.2	3.2	8	11	11.1	8.3
Medium Brown (tan)	32	76	3	1.3	10	13	9.1	7.1
Green tip	58	76	1.7	1.3	17	21	5.6	4.5
Orange	61	80	1.6	1.2	19	22	5	4.3
Dark Brown	80	94	1.2	1.1	23	28	4.2	3.4
Yellow	109	132	0.9	0.8	28	39	3.4	2.5
Aqua	118	152	0.8	0.7	36	45	2.7	2.2
Purple	203	249	0.5	0.4	59	63	1.7	1.6
Pink tip	389	722	0.3	0.1	119	144	0.8	0.7
Clear	-	-	-	-	-	-	-	-
Without tip	4	4	20	20	3	5	25	16.7



**+ Options**

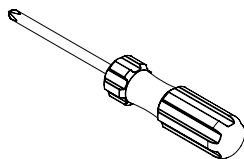
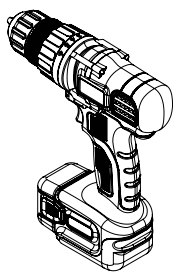
**10a**

**10b**

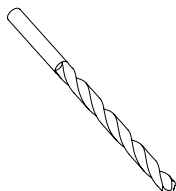
3

# Installation

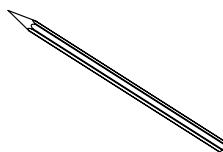
## Tools



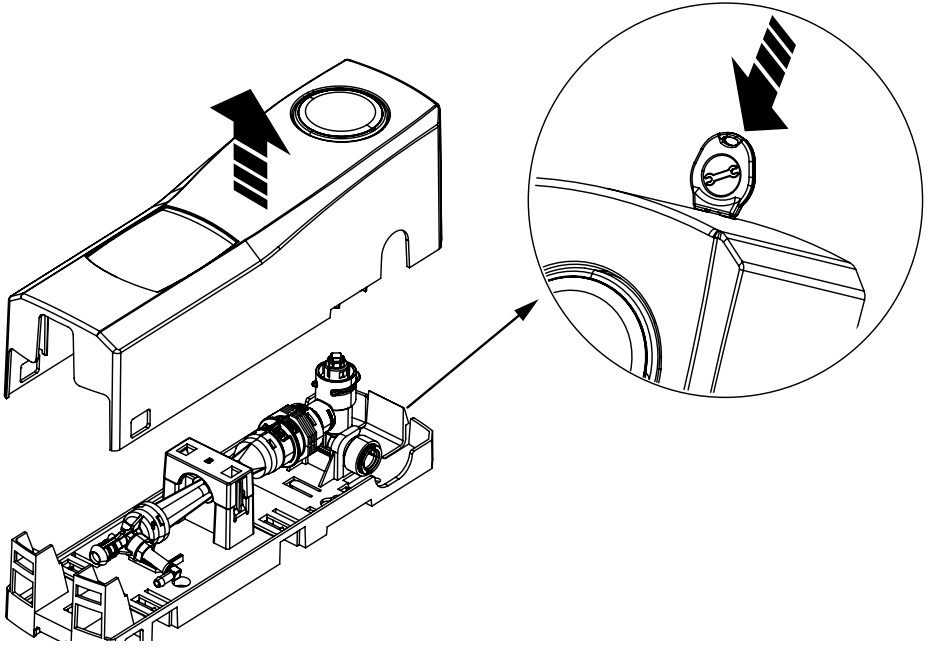
PZ2



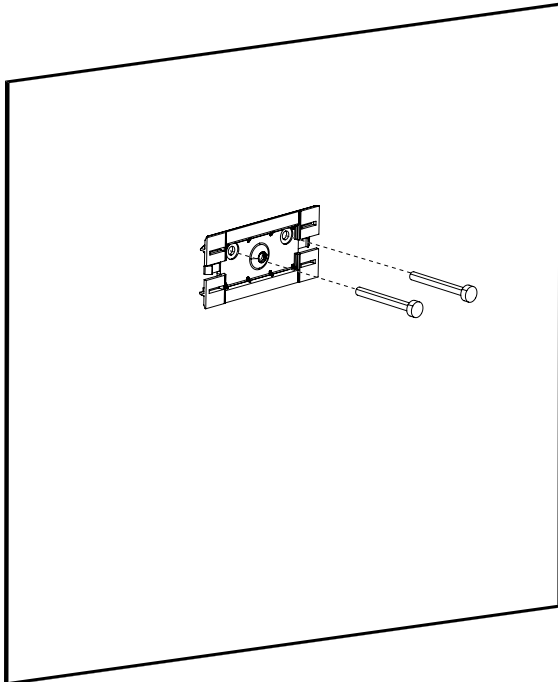
6mm



1

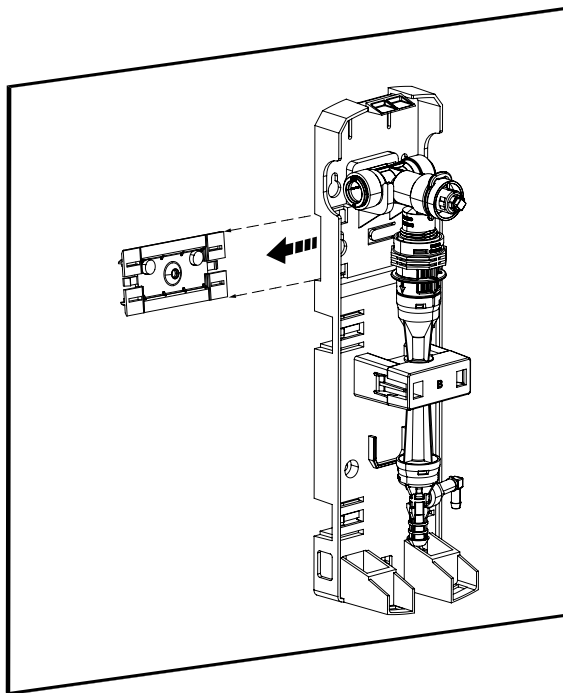


2i

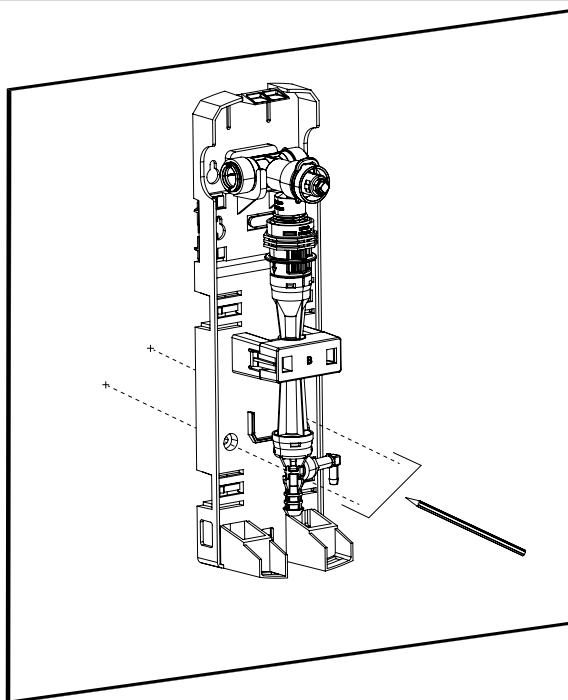


5

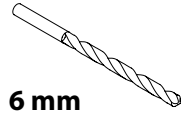
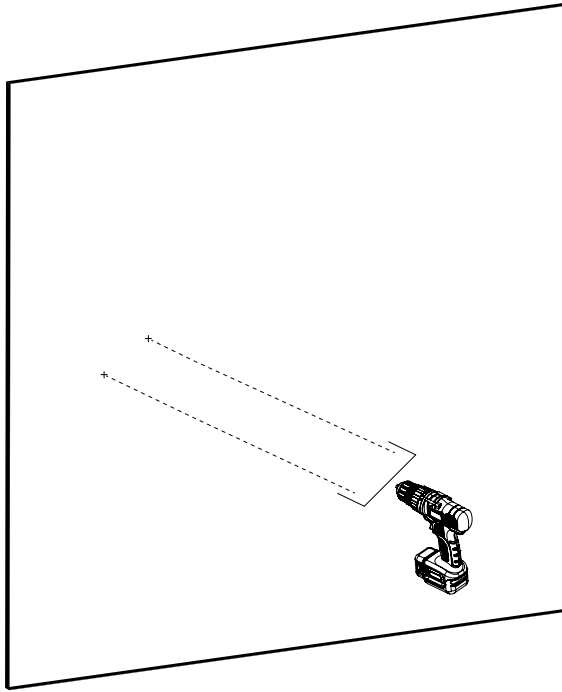
2ii



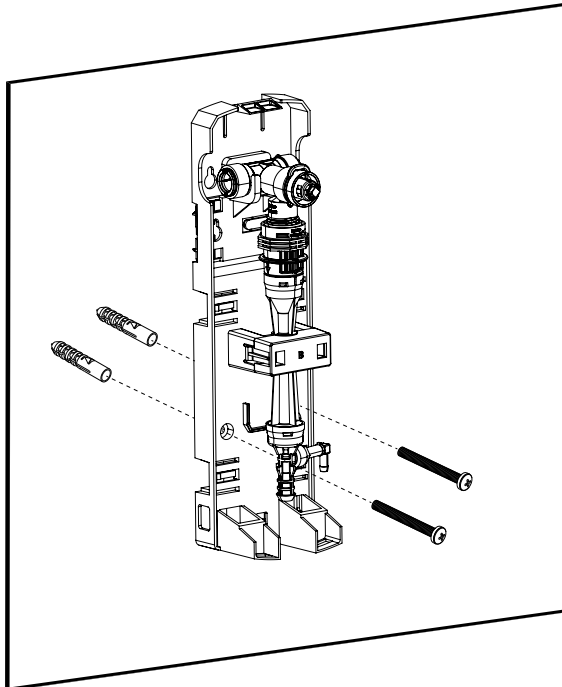
2iii



2iv



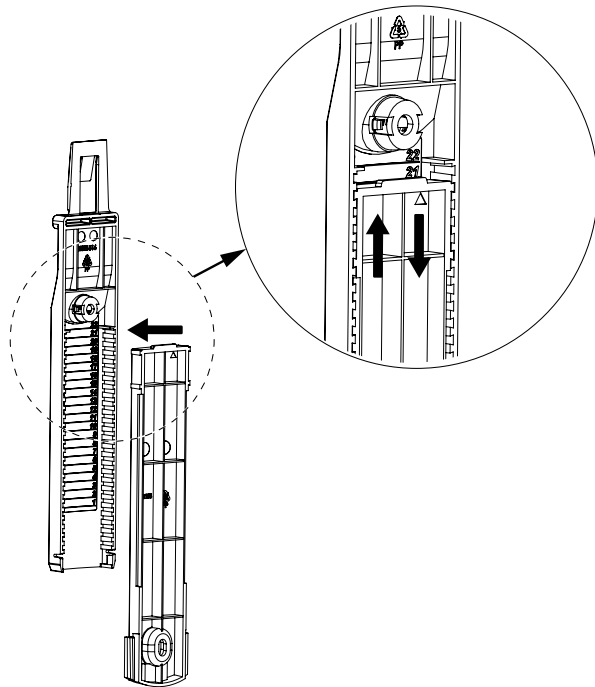
2v



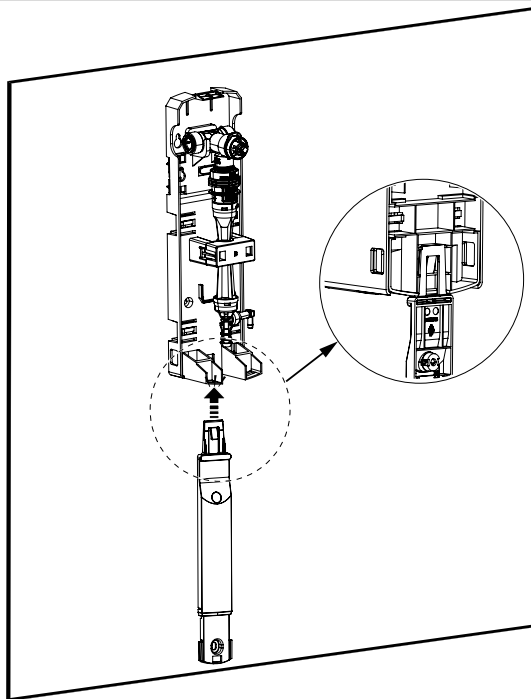
7



3

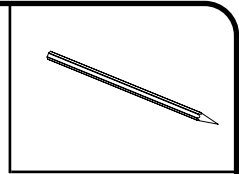
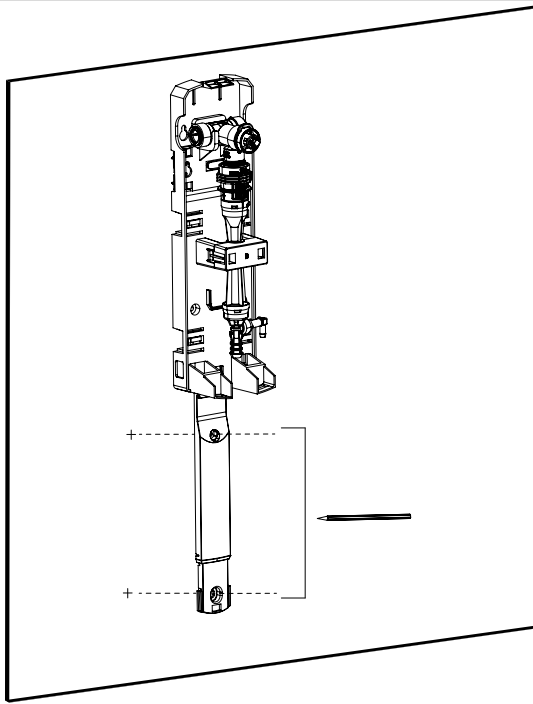


4

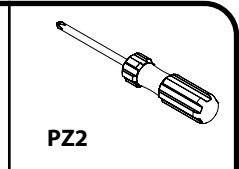
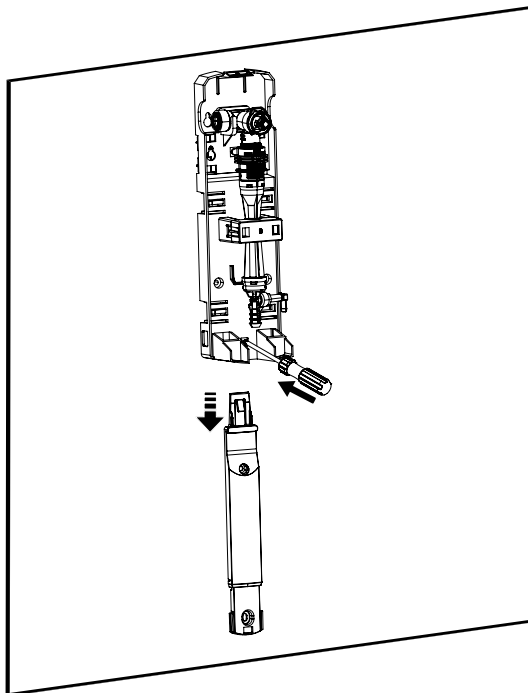


8

5



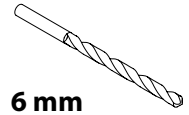
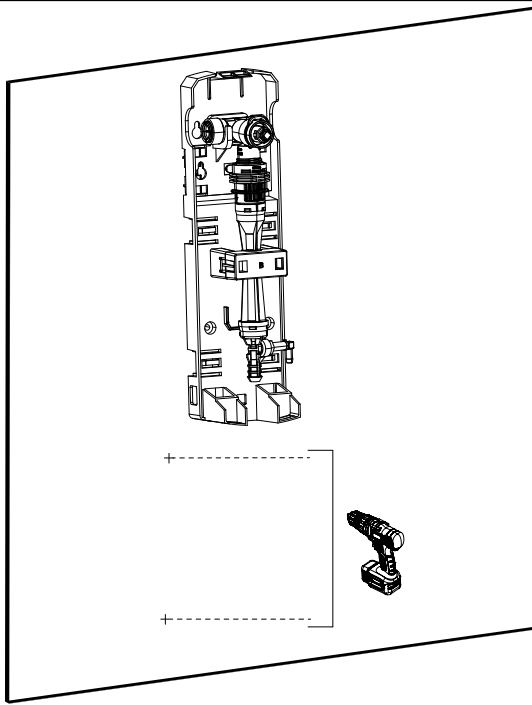
6



PZ2

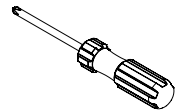
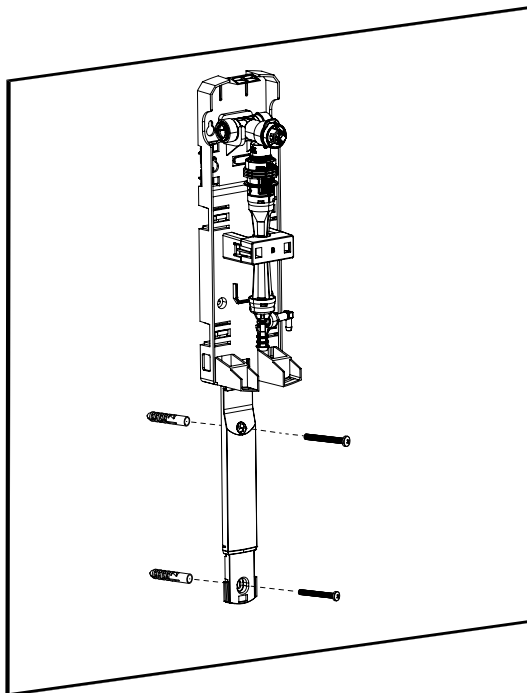
9

7



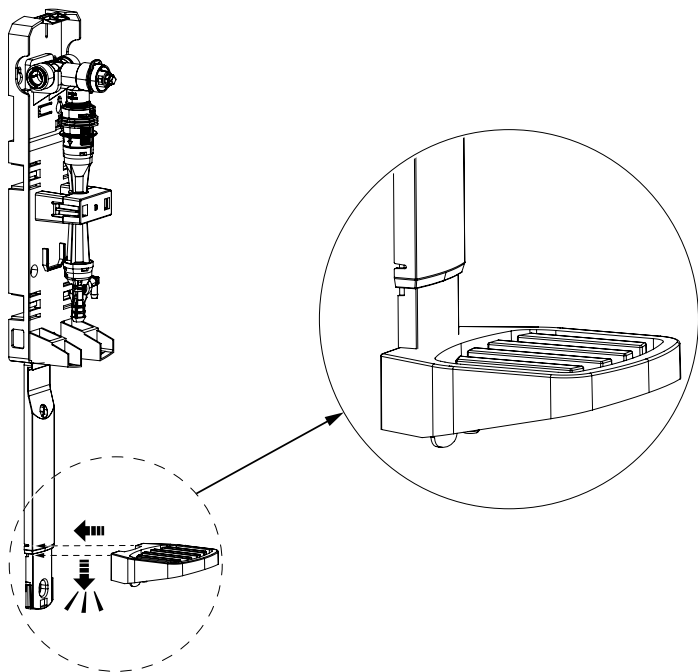
6 mm

8



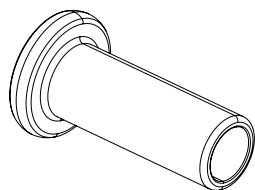
PZ2

9

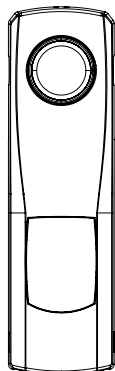


10

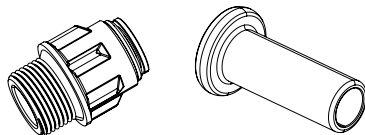
10a



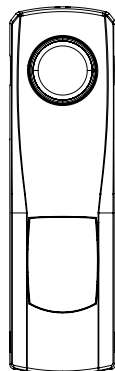
Ø15



10b

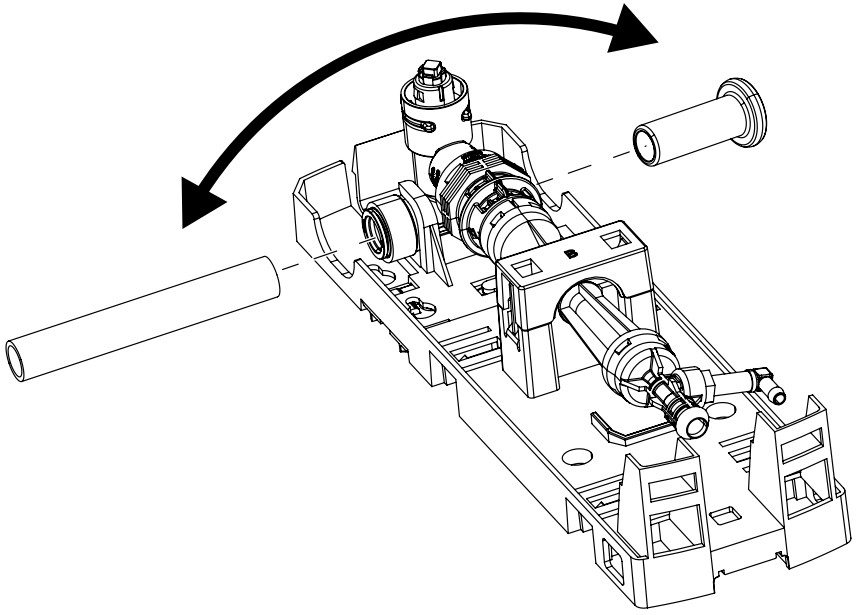


Ø15 x 99.5 mm

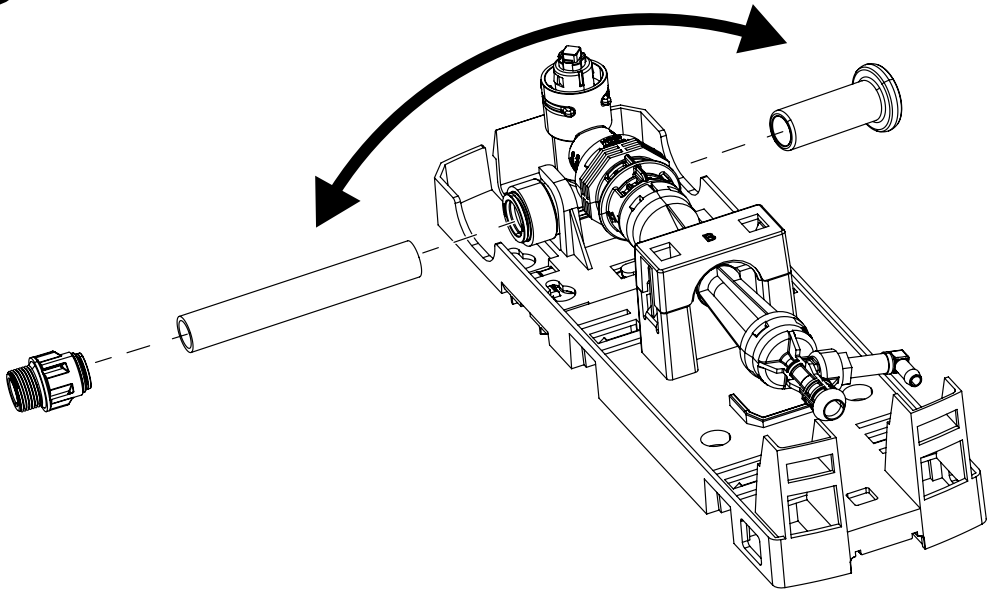


11

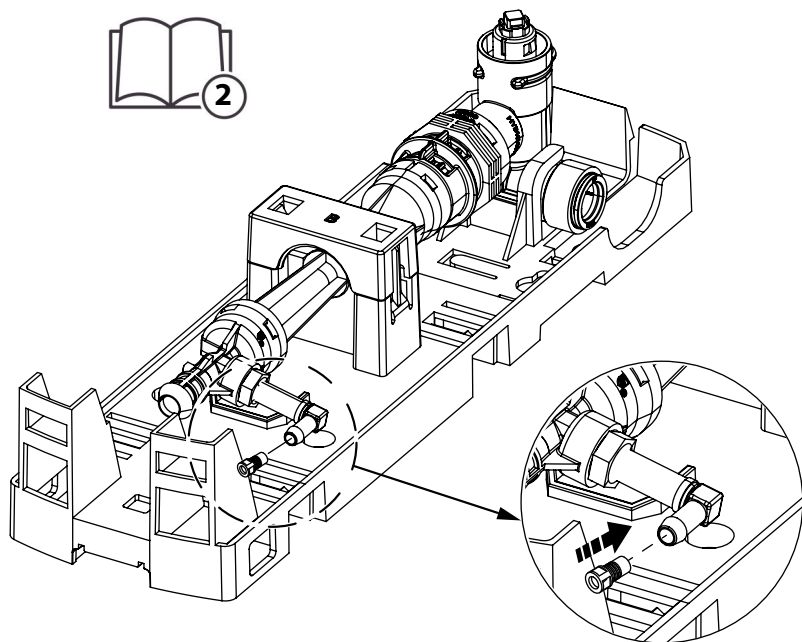
10a



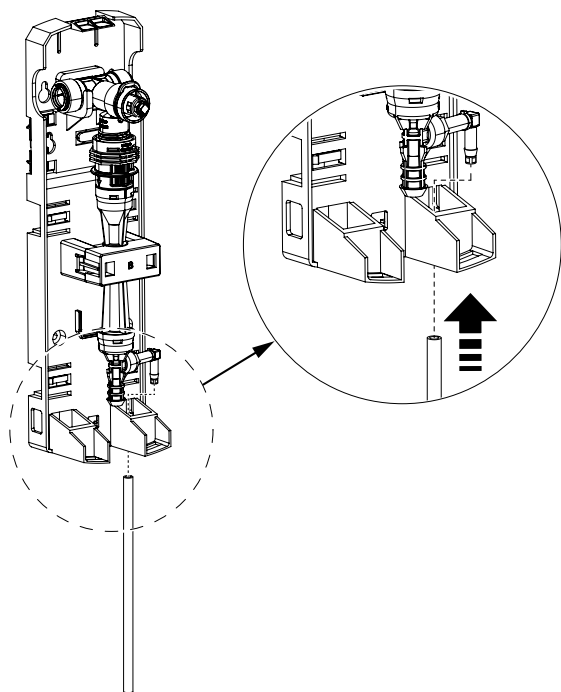
10b



11i

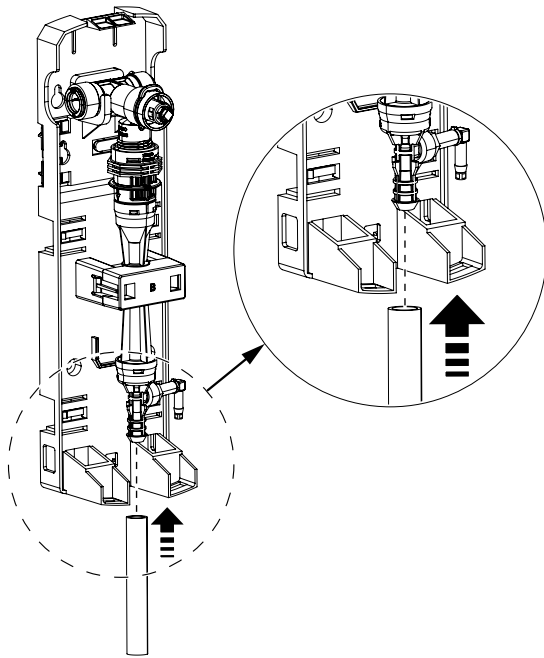


11ii

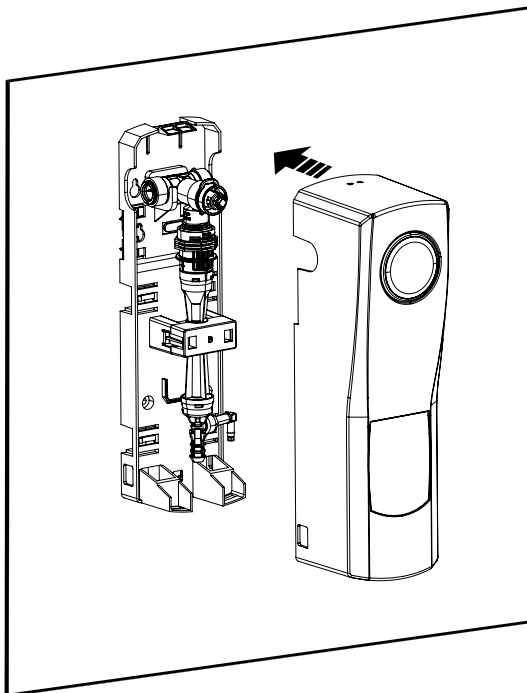


13

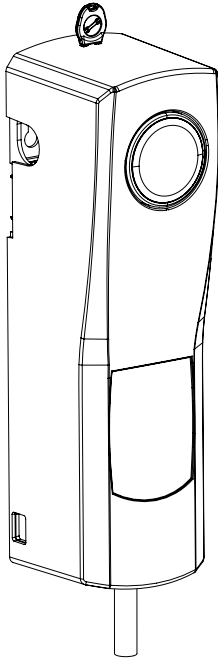
12



13



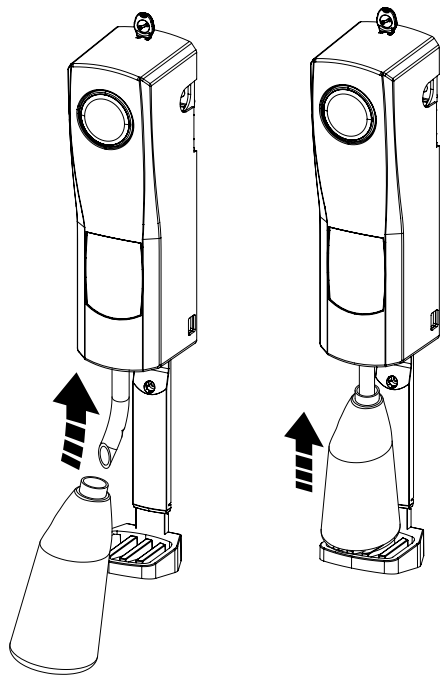
14



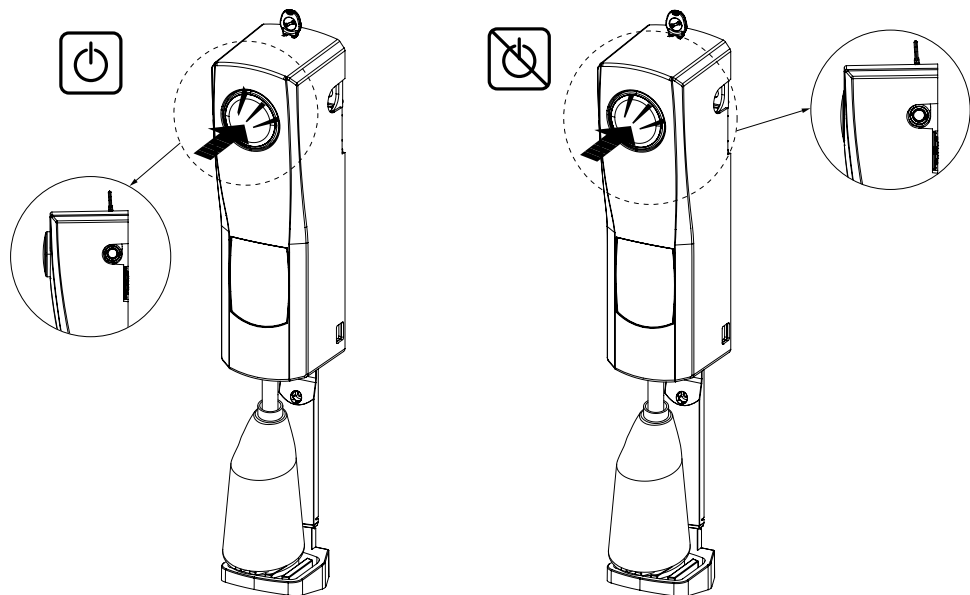


# Operation

1

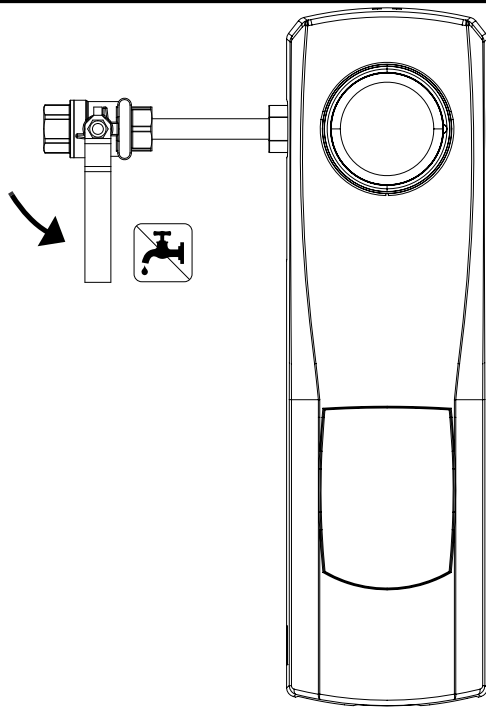


2

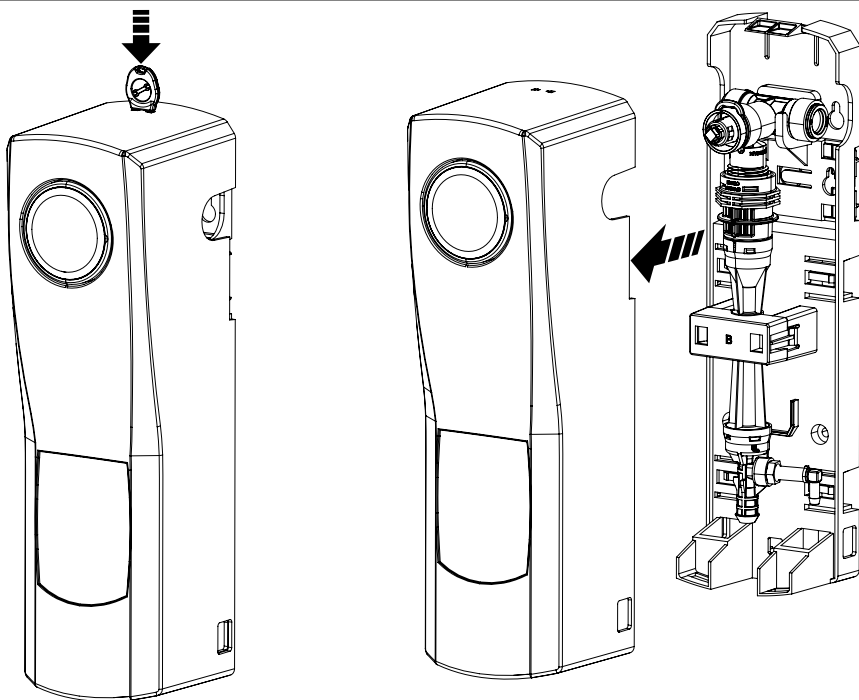


# Maintenance

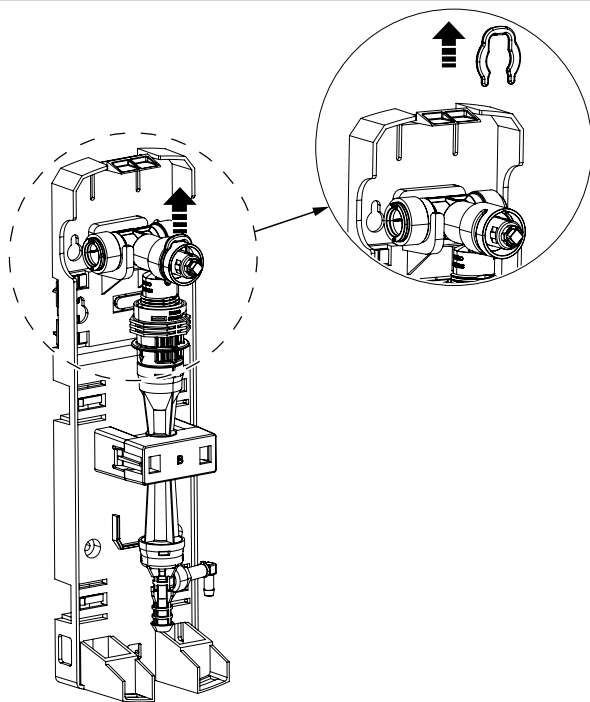
1



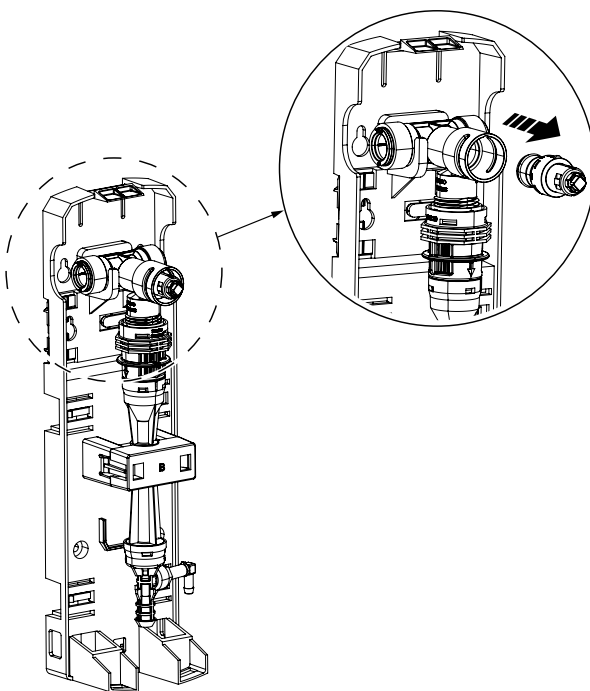
2



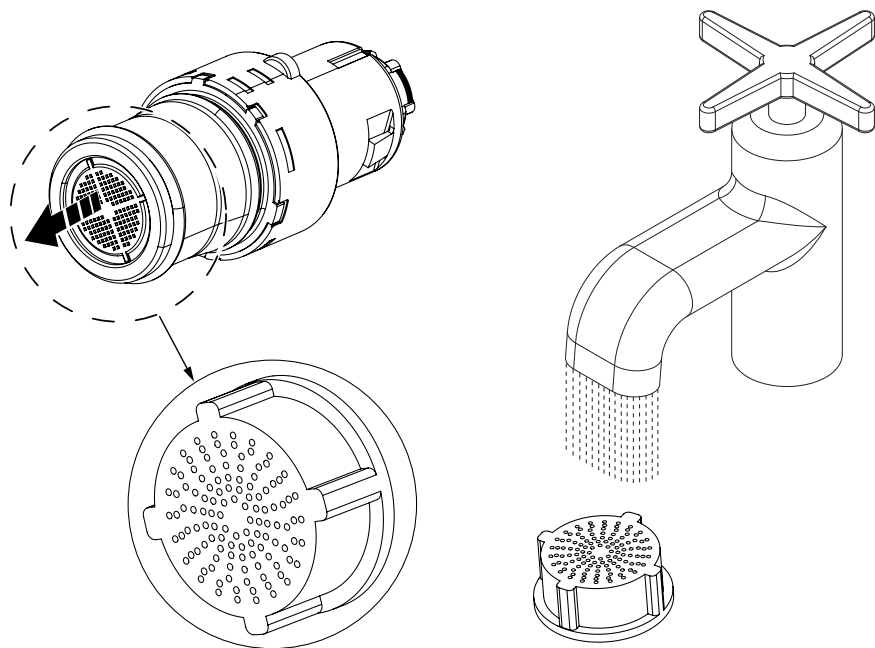
3i



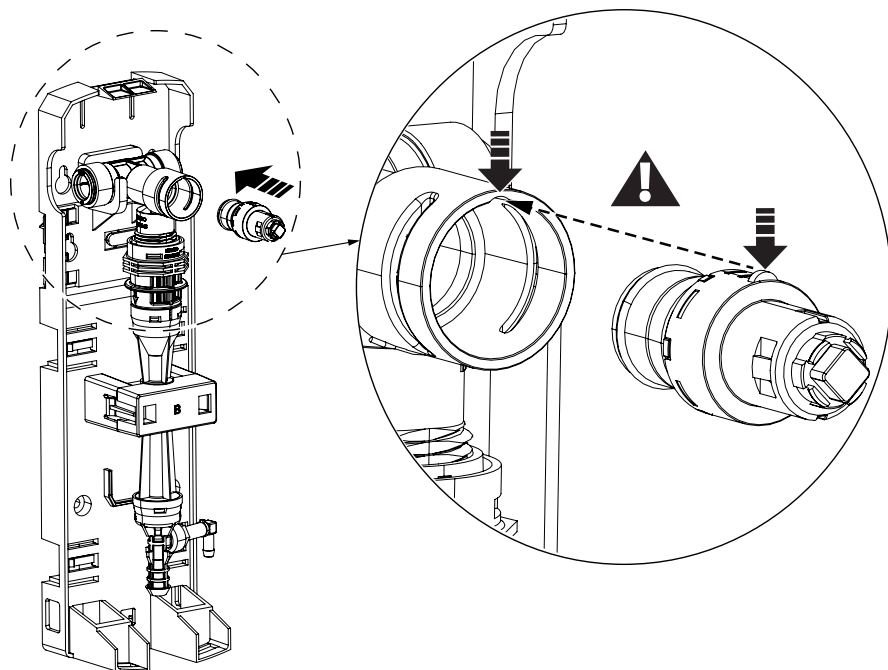
3ii



3iii



3iv



4

